

® ©



PRICE LIST - 2022

INDEX

01. AC Drive.....	03
02. PLC.....	12
03. HMI.....	20
04. AC Servo System.....	22
05. Encoder.....	29
06. Temperature Controller.....	32
07. Counter / Timer / Tachometer.....	36
08. Communication Module.....	36
09. Multi Functional Power Meter.....	36
10. Diaenergie EMS (Machine Pack) B/s Versions.....	36
11. DVS Ethernet Switches.....	37
11. IIoT Router.....	37
11. LUBI Cable.....	38

The image shows a large, light blue watermark of the 'Lubi' logo. The logo consists of the word 'Lubi' in a stylized, italicized font, with a small graphic of three horizontal lines above the 'i'. The watermark is centered on the page and partially overlaps the index table.

AC DRIVE

"EL" Series

Input : 1 Phase/230V, Output: 3 Phase/230V

Model	Description	Price
VFD002EL21A	230V, 0.2KW / 0.25HP, Inbuilt EMC filter, Non detachable display unit	10550
VFD004EL21A	230V, 0.4KW / 0.5HP, Inbuilt EMC filter, Non detachable display unit	11800
VFD007EL21A	230V, 0.75KW / 1HP, Inbuilt EMC filter, Non detachable display unit	12250
VFD015EL21A	230V, 1.5KW / 2HP, Inbuilt EMC filter, Non detachable display unit	14745
VFD022EL21A	230V, 2.2KW / 3HP, Inbuilt EMC filter, Non detachable display unit	19625

Input : 3 Phase/460V, Output: 3 Phase/460V

Model	Description	Price
VFD004EL43A	460V, 0.4KW / 0.5HP, Inbuilt EMC filter, Non detachable display unit	15085
VFD007EL43A	460V, 0.75KW / 1HP, Inbuilt EMC filter, Non detachable display unit	17185
VFD015EL43A	460V, 1.5KW / 2HP, Inbuilt EMC filter, Non detachable display unit	19625
VFD022EL43A	460V, 2.2KW / 3HP, Inbuilt EMC filter, Non detachable display unit	23650
VFD037EL43A	460V, 3.7KW / 5HP, Inbuilt EMC filter, Non detachable display unit	28815

"EL-W" Series

Input : 1 Phase/230V, Output: 3 Phase/230V

Model	Description	Price
VFD002EL21W-1	230V, 0.2KW / 0.25HP, Non detachable display unit	8965
VFD004EL21W-1	230V, 0.4KW / 0.5HP, Non detachable display unit	9815
VFD007EL21W-1	230V, 0.75KW / 1HP, Non detachable display unit	11065
VFD015EL21W-1	230V, 1.5KW / 2HP, Non detachable display unit	13615
VFD022EL21W-1	230V, 2.2KW / 3HP, Non detachable display unit	18150

Input : 3 Phase/460V, Output: 3 Phase/460V

Model	Description	Price
VFD007EL43W-1	460V, 0.75KW / 1HP, Non detachable display unit	14180
VFD015EL43W-1	460V, 1.5KW / 2HP, Non detachable display unit	16675
VFD022EL43W-1	460V, 2.2KW / 3HP, Non detachable display unit	20190
VFD040EL43W-1	460V, 4KW / 5HP, Non detachable display unit	24500

"ME" Series

Input : 1 Phase/230V, Output: 3 Phase/230V

Model	Description	Price
VFD1A6ME21ANNA	230V, 0.2KW / 0.25HP, Non detachable display unit	11115
VFD2A8ME21ANNA	230V, 0.4KW / 0.5HP, Non detachable display unit	12250
VFD4A8ME21ANNA	230V, 0.75KW / 1HP, Non detachable display unit	13045
VFD7A5ME21ANNA	230V, 1.5KW / 2HP, Non detachable display unit	15315
VFD11AME21ANNA	230V, 2.2KW / 3HP, Non detachable display unit	20985

Input : 3 Phase/460V, Output: 3 Phase/460V

Model	Description	Price
VFD1A5ME43ANNA	460V, 0.4KW / 0.5HP, Non detachable display unit	15085
VFD2A7ME43ANNA	460V, 0.75KW / 1HP, Non detachable display unit	15880
VFD4A2ME43ANNA	460V, 1.5KW / 2HP, Non detachable display unit	17585
VFD5A5ME43ANNA	460V, 2.2KW / 3HP, Non detachable display unit	20420
VFD9A0ME43ANNA	460V, 4KW / 5HP, Non detachable display unit	24390
VFD13AME43ANNA	460V, 5.5KW / 7.5HP, Non detachable display unit	30285
VFD17AME43ANNA	460V, 7.5KW / 10HP, Non detachable display unit	34705

"MS" Series

Input : 1 Phase/230V, Output: 3 Phase/230V

Model	Description	Price
VFD2A8MS21ANSAA	230V, 0.4KW / 0.5HP, Detachable display unit	12535
VFD4A8MS21ANSAA	230V, 0.75KW / 1HP, Detachable display unit	13780
VFD7A5MS21ANSAA	230V, 1.5KW / 2HP, Detachable display unit	15770
VFD11AMS21ANSAA	230V, 2.2KW / 3HP, Detachable display unit	22345

Input : 3 Phase/460V, Output: 3 Phase/460V

Model	Description	Price
VFD1A5MS43ANSAA	460V, 0.4KW / 0.5HP, Detachable display unit	17185
VFD2A7MS43ANSAA	460V, 0.75KW / 1HP, Detachable display unit	17810
VFD4A2MS43ANSAA	460V, 1.5KW / 2HP, Detachable display unit	19395
VFD5A5MS43ANSAA	460V, 2.2KW / 3HP, Detachable display unit	22685
VFD9A0MS43ANSAA	460V, 4KW / 5HP, Detachable display unit	26995
VFD13AMS43ANSAA	460V, 5.5KW / 7.5HP, Detachable display unit	35560
VFD17AMS43ANSAA	460V, 7.5KW / 10HP, Detachable display unit	40835
VFD25AMS43ANSAA	460V, 11KW / 15HP, Detachable display unit	52405
VFD32AMS43ANSAA	460V, 15KW / 20HP, Detachable display unit	62385
VFD38AMS43ANSAA	460V, 18.5KW / 25HP, Detachable display unit	83595
VFD45AMS43ANSAA	460V, 22KW / 30HP, Detachable display unit	90205

"E" Series
Input : 1 Phase/230V, Output: 3 Phase/230V

Model	Description	Price
VFD002E21A	230V, 0.2KW / 0.25HP, Inbuilt PLC & EMC filter	11800
VFD004E21A	230V, 0.4KW / 0.5HP, Inbuilt PLC & EMC filter	12535
VFD007E21A	230V, 0.75KW / 1HP, Inbuilt PLC & EMC filter	13780
VFD015E21A	230V, 1.5KW / 2HP, Inbuilt PLC & EMC filter, Braking chopper	15205
VFD022E21A	230V, 2.2KW / 3HP, Inbuilt PLC & EMC filter, Braking chopper	21095

Input : 3 Phase/460V, Output: 3 Phase/460V

Model	Description	Price
VFD004E43A	460V, 0.4KW / 0.5HP, Inbuilt PLC & EMC filter	17015
VFD007E43A	460V, 0.75KW / 1HP, Inbuilt PLC & EMC filter	17415
VFD015E43A	460V, 1.5KW / 2HP, Inbuilt PLC & EMC filter	20590
VFD022E43A	460V, 2.2KW / 3HP, Inbuilt PLC & EMC filter, Braking chopper	24500
VFD037E43A	460V, 3.7KW / 5HP, Inbuilt PLC & EMC filter, Braking chopper	28585
VFD055E43A	460V, 5.5KW / 7.5HP, Inbuilt PLC & EMC filter, Braking chopper	36410
VFD075E43A	460V, 7.5KW / 10HP, Inbuilt PLC & EMC filter, Braking chopper	44125
VFD110E43A	460V, 11KW / 15HP, Inbuilt PLC & EMC filter, Braking chopper	58415
VFD150E43A	460V, 15KW / 20HP, Inbuilt PLC & EMC filter, Braking chopper	68165
VFD185E43A	460V, 18.5KW / 25HP, Inbuilt PLC & EMC filter, Braking chopper	93575
VFD220E43A	460V, 22KW / 30HP, Inbuilt PLC & EMC filter, Braking chopper	100150
KPE-LE02	* Keypad Mandatory with all E Series drives	1025

* Prices for E Series drives with inbuilt CANopen port are available only on request

"C200" Series
Input : 1 Phase/230V, Output: 3 Phase/230V

Model	Description	Price
VFD004CB21A-20	230V, 0.37KW / 0.5HP, Inbuilt PLC, Braking chopper, Display unit	16450
VFD007CB21A-20	230V, 0.75KW / 1HP, Inbuilt PLC, Braking chopper, Display unit	17245
VFD015CB21A-20	230V, 1.5KW / 2HP, Inbuilt PLC, Braking chopper, Display unit	19285
VFD022CB21A-20	230V, 2.2KW / 3HP, Inbuilt PLC, Braking chopper, Display unit	26430

Input : 3 Phase/460V, Output: 3 Phase/460V

Model	Description	Price
VFD007CB43A-20	460V, 0.75KW / 1HP, Inbuilt PLC, Braking chopper, Display unit	20190
VFD015CB43A-20	460V, 1.5KW / 2HP, Inbuilt PLC, Braking chopper, Display unit	23650
VFD022CB43A-20	460V, 2.2KW / 3HP, Inbuilt PLC, Braking chopper, Display unit	28815
VFD037CB43A-20	460V, 3.7KW / 5HP, Inbuilt PLC, Braking chopper, Display unit	33120
VFD040CB43A-20	460V, 4KW / 5HP, Inbuilt PLC, Braking chopper, Display unit	39245
VFD055CB43A-20	460V, 5.5KW / 7.5HP, Inbuilt PLC, Braking chopper, Display unit	44235
VFD075CB43A-20	460V, 7.5KW / 10HP, Inbuilt PLC, Braking chopper, Display unit	51155

“C2000 Plus” Series
Input : 3 Phase/460V, Output: 3 Phase/460V

Model	Description	Price
VFD007C43A-21	460V, 0.75KW / 1HP, Inbuilt PLC, Braking chopper, LCD Display unit	33205
VFD015C43A-21	460V, 1.5KW / 2HP, Inbuilt PLC, Braking chopper, LCD Display unit	35955
VFD022C43A-21	460V, 2.2KW / 3HP, Inbuilt PLC, Braking chopper, LCD Display unit	39615
VFD037C43A-21	460V, 3.7KW / 5HP, Inbuilt PLC, Braking chopper, LCD Display unit	46370
VFD040C43A-21	460V, 4KW / 5HP, Inbuilt PLC, Braking chopper, LCD Display unit	47630
VFD055C43A-21	460V, 5.5KW / 7.5HP, Inbuilt PLC, Braking chopper, LCD Display unit	50380
VFD075C43A-21	460V, 7.5KW / 10HP, Inbuilt PLC, Braking chopper, LCD Display unit	52670
VFD110C43A-21	460V, 11KW / 15HP, Inbuilt PLC, Braking chopper, LCD Display unit	64860
VFD150C43A-21	460V, 15KW / 20HP, Inbuilt PLC, Braking chopper, LCD Display unit	71790
VFD185C43A-21	460V, 18.5KW / 25HP, Inbuilt PLC, Braking chopper, LCD Display unit	98235
VFD220C43A-21	460V, 22KW / 30HP, Inbuilt PLC, Braking chopper, LCD Display unit	103905
VFD300C43A-21	460V, 30KW / 40HP, Inbuilt PLC, Braking chopper, LCD Display unit	136015
VFD370C43S-00	460V, 37KW / 50HP, DC Choke, Inbuilt PLC, LCD Display unit	155540
VFD450C43S-00	460V, 45KW / 60HP, DC Choke, Inbuilt PLC, LCD Display unit	172540
VFD550C43A-00	460V, 55KW / 75HP, DC Choke, Inbuilt PLC, LCD Display unit	226695
VFD750C43A-00	460V, 75KW / 100HP, DC Choke, Inbuilt PLC, LCD Display unit	283365
VFD900C43A-00	460V, 90KW / 120HP, DC Choke, Inbuilt PLC, LCD Display unit	377820
VFD1100C43A-00	460V, 110KW / 150HP, DC Choke, Inbuilt PLC, LCD Display unit	440790
VFD1320C43A-00	460V, 132KW / 180HP, DC Choke, Inbuilt PLC, LCD Display unit	541540
VFD1600C43A-00	460V, 160KW / 220HP, DC Choke, Inbuilt PLC, LCD Display unit	629695
VFD1850C43A-00	460V, 185KW / 250HP, DC Choke, Inbuilt PLC, LCD Display unit	862685
VFD2000C43A-00	460V, 200KW / 270HP, DC Choke, Inbuilt PLC, LCD Display unit	904150
VFD2200C43A-00	460V, 220KW / 300HP, DC Choke, Inbuilt PLC, LCD Display unit	1007515
VFD2500C43A-00	460V, 250KW / 340HP, DC Choke, Inbuilt PLC, LCD Display unit	1053950
VFD2800C43A-00	460V, 280KW / 375HP, DC Choke, Inbuilt PLC, LCD Display unit	On Request
VFD3150C43A-00	460V, 315KW / 425HP, DC Choke, Inbuilt PLC, LCD Display unit	On Request
VFD3550C43A-00	460V, 355KW / 475HP, DC Choke, Inbuilt PLC, LCD Display unit	On Request
VFD4000C43A-00	460V, 400KW / 536HP, DC Choke, Inbuilt PLC, LCD Display unit	On Request
VFD4500C43A-00	460V, 450KW / 600HP, DC Choke, Inbuilt PLC, LCD Display unit	On Request
VFD5000C43A-00	460V, 500KW / 680HP, DC Choke, Inbuilt PLC, LCD Display unit	On Request
VFD5600C43A-00	460V, 560KW / 760HP, DC Choke, Inbuilt PLC, LCD Display unit	On Request

"CP2000" Series
Input : 3 Phase/460V, Output: 3 Phase/460V

Model	Description	Price
VFD007CP43B-21	460V, 0.75KW / 1HP, Inbuilt PLC, Braking chopper, LCD Display unit	24730
VFD015CP43B-21	460V, 1.5KW / 2HP, Inbuilt PLC, Braking chopper, LCD Display unit	27250
VFD022CP43B-21	460V, 2.2KW / 3HP, Inbuilt PLC, Braking chopper, LCD Display unit	30915
VFD037CP43B-21	460V, 3.7KW / 5HP, Inbuilt PLC, Braking chopper, LCD Display unit	37210
VFD055CP43B-21	460V, 5.5KW / 7.5HP, Inbuilt PLC, Braking chopper, LCD Display unit	42080
VFD075CP43B-21	460V, 7.5KW / 10HP, Inbuilt PLC, Braking chopper, LCD Display unit	50720
VFD110CP43B-21	460V, 11KW / 15HP, Inbuilt PLC, Braking chopper, LCD Display unit	53530
VFD150CP43B-21	460V, 15KW / 20HP, Inbuilt PLC, Braking chopper, LCD Display unit	56675
VFD185CP43B-21	460V, 18.5KW / 25HP, Inbuilt PLC, Braking chopper, LCD Display unit	73045
VFD220CP43A-21	460V, 22KW / 30HP, Inbuilt PLC, Braking chopper, LCD Display unit	98235
VFD300CP43B-21	460V, 30KW / 40HP, Inbuilt PLC, Braking chopper, LCD Display unit	107680
VFD370CP43B-21	460V, 37KW / 50HP, Inbuilt PLC, Braking chopper, LCD Display unit	138565
VFD450CP43S-00	460V, 45KW / 60HP, DC Choke, Inbuilt PLC, LCD Display unit	160345
VFD550CP43S-00	460V, 55KW / 75HP, DC Choke, Inbuilt PLC, LCD Display unit	177875
VFD750CP43B-00	460V, 75KW / 100HP, DC Choke, Inbuilt PLC, LCD Display unit	233700
VFD900CP43A-00	460V, 90KW / 120HP, DC Choke, Inbuilt PLC, LCD Display unit	292130
VFD1100CP43A-00	460V, 110KW / 150HP, DC Choke, Inbuilt PLC, LCD Display unit	389505
VFD1320CP43B-00	460V, 132KW / 180HP, DC Choke, Inbuilt PLC, LCD Display unit	454420
VFD1600CP43A-00	460V, 160KW / 220HP, DC Choke, Inbuilt PLC, LCD Display unit	558290
VFD1850CP43B-00	460V, 185KW / 250HP, DC Choke, Inbuilt PLC, LCD Display unit	649170
VFD2000CP43A-00	460V, 200KW / 270HP, DC Choke, Inbuilt PLC, LCD Display unit	872050
VFD2200CP43A-00	460V, 220KW / 300HP, DC Choke, Inbuilt PLC, LCD Display unit	889365
VFD2500CP43A-00	460V, 250KW / 340HP, DC Choke, Inbuilt PLC, LCD Display unit	1038675
VFD2800CP43A-00	460V, 280KW / 375HP, DC Choke, Inbuilt PLC, LCD Display unit	On Request
VFD3150CP43A-00	460V, 315KW / 425HP, DC Choke, Inbuilt PLC, LCD Display unit	On Request
VFD3550CP43A-00	460V, 355KW / 475HP, DC Choke, Inbuilt PLC, LCD Display unit	On Request
VFD4000CP43A-00	460V, 400KW / 536HP, DC Choke, Inbuilt PLC, LCD Display unit	On Request
VFD5000CP43A-00	460V, 500KW / 680HP, DC Choke, Inbuilt PLC, LCD Display unit	On Request
VFD5600CP43A-00	460V, 560KW / 760HP, DC Choke, Inbuilt PLC, LCD Display unit	On Request
VFD6300CP43A-00	460V, 630KW / 860HP, DC Choke, Inbuilt PLC, LCD Display unit	On Request

“CFP2000” Series
Input : 3 Phase/460V, Output: 3 Phase/460V

Model	Description	Price
VFD007FP4EA-41	460V, 0.75KW / 1HP, Inbuilt PLC, Braking chopper, DC Choke, EMC Filter, IP41	On Request
VFD015FP4EA-41	460V, 1.5KW / 2HP, Inbuilt PLC, Braking chopper,DC Choke, EMC Filter, IP41	On Request
VFD022FP4EA-41	460V, 2.2KW / 3HP, Inbuilt PLC, Braking chopper, DC Choke, EMC Filter, IP41	On Request
VFD037FP4EA-41	460V, 3.7KW / 5HP, Inbuilt PLC, Braking chopper, DC Choke, EMC Filter, IP41	On Request
VFD040FP4EA-41	460V, 4KW / 5HP, Inbuilt PLC, Braking chopper, DC Choke, EMC Filter, IP41	On Request
VFD055FP4EA-41	460V, 5.5KW / 7.5HP, Inbuilt PLC, Braking chopper, DC Choke, EMC Filter, IP41	On Request
VFD075FP4EA-41	460V, 7.5KW / 10HP, Inbuilt PLC, Braking chopper, DC Choke, EMC Filter, IP41	On Request
VFD110FP4EA-41	460V, 11KW / 15HP, Inbuilt PLC, Braking chopper, DC Choke, EMC Filter, IP41	On Request
VFD150FP4EA-41	460V, 15KW / 20HP, Inbuilt PLC, Braking chopper, DC Choke, EMC Filter, IP41	On Request
VFD185FP4EA-41	460V, 18.5KW / 25HP, Inbuilt PLC, Braking chopper, DC Choke, EMC Filter, IP41	On Request
VFD220FP4EA-41	460V, 22KW / 30HP, Inbuilt PLC, Braking chopper, DC Choke, EMC Filter, IP41	On Request
VFD300FP4EA-41	460V, 30KW / 40HP, Inbuilt PLC, Braking chopper, DC Choke, EMC Filter, IP41	On Request
VFD370FP4EA-41	460V, 37KW / 50HP, Inbuilt PLC, Braking chopper, DC Choke, EMC Filter, IP41	On Request
VFD450FP4EA-41	460V, 45KW / 60HP, DC Choke, Inbuilt PLC, DC Choke, EMC Filter, IP41	On Request
VFD550FP4EA-41	460V, 55KW / 75HP, DC Choke, Inbuilt PLC, DC Choke, EMC Filter, IP41	On Request
VFD750FP4EA-41	460V, 75KW / 100HP, DC Choke, Inbuilt PLC, DC Choke, EMC Filter, IP41	On Request
VFD900FP4EA-41	460V, 90KW / 120HP, DC Choke, Inbuilt PLC, DC Choke, EMC Filter, IP41	On Request
VFD007FP4EA-52	460V, 0.75KW / 1HP, Inbuilt PLC, Braking chopper, DC Choke, EMC Filter, IP55	On Request
VFD015FP4EA-52	460V, 1.5KW / 2HP, Inbuilt PLC, Braking chopper,DC Choke, EMC Filter, IP55	On Request
VFD022FP4EA-52	460V, 2.2KW / 3HP, Inbuilt PLC, Braking chopper, DC Choke, EMC Filter, IP55	On Request
VFD037FP4EA-52	460V, 3.7KW / 5HP, Inbuilt PLC, Braking chopper, DC Choke, EMC Filter, IP55	On Request
VFD040FP4EA-52	460V, 4KW / 5HP, Inbuilt PLC, Braking chopper, DC Choke, EMC Filter, IP55	On Request
VFD055FP4EA-52	460V, 5.5KW / 7.5HP, Inbuilt PLC, Braking chopper, DC Choke, EMC Filter, IP55	On Request
VFD075FP4EA-52	460V, 7.5KW / 10HP, Inbuilt PLC, Braking chopper, DC Choke, EMC Filter, IP55	On Request
VFD110FP4EA-52	460V, 11KW / 15HP, Inbuilt PLC, Braking chopper, DC Choke, EMC Filter, IP55	On Request
VFD150FP4EA-52	460V, 15KW / 20HP, Inbuilt PLC, Braking chopper, DC Choke, EMC Filter, IP55	On Request
VFD185FP4EA-52	460V, 18.5KW / 25HP, Inbuilt PLC, Braking chopper, DC Choke, EMC Filter, IP55	On Request
VFD220FP4EA-52	460V, 22KW / 30HP, Inbuilt PLC, Braking chopper, DC Choke, EMC Filter, IP55	On Request
VFD300FP4EA-52	460V, 30KW / 40HP, Inbuilt PLC, Braking chopper, DC Choke, EMC Filter, IP55	On Request
VFD370FP4EA-52	460V, 37KW / 50HP, Inbuilt PLC, Braking chopper, DC Choke, EMC Filter, IP55	On Request
VFD450FP4EA-52	460V, 45KW / 60HP, DC Choke, Inbuilt PLC, DC Choke, EMC Filter, IP55	On Request
VFD550FP4EA-52	460V, 55KW / 75HP, DC Choke, Inbuilt PLC, DC Choke, EMC Filter, IP55	On Request
VFD750FP4EA-52	460V, 75KW / 100HP, DC Choke, Inbuilt PLC, DC Choke, EMC Filter, IP55	On Request
VFD900FP4EA-52	460V, 90KW / 120HP, DC Choke, Inbuilt PLC, DC Choke, EMC Filter, IP55	On Request
VFD007FP4EA-52S	460V, 0.75KW / 1HP, Inbuilt PLC, Braking chopper, DC Choke, EMC Filter, IP55 + SDF	On Request
VFD015FP4EA-52S	460V, 1.5KW / 2HP, Inbuilt PLC, Braking chopper,DC Choke, EMC Filter, IP55 + SDF	On Request
VFD022FP4EA-52S	460V, 2.2KW / 3HP, Inbuilt PLC, Braking chopper, DC Choke, EMC Filter, IP55 + SDF	On Request
VFD037FP4EA-52S	460V, 3.7KW / 5HP, Inbuilt PLC, Braking chopper, DC Choke, EMC Filter, IP55 + SDF	On Request
VFD040FP4EA-52S	460V, 4KW / 5HP, Inbuilt PLC, Braking chopper, DC Choke, EMC Filter, IP55 + SDF	On Request
VFD055FP4EA-52S	460V, 5.5KW / 7.5HP, Inbuilt PLC, Braking chopper, DC Choke, EMC Filter, IP55 + SDF	On Request
VFD075FP4EA-52S	460V, 7.5KW / 10HP, Inbuilt PLC, Braking chopper, DC Choke, EMC Filter, IP55 + SDF	On Request
VFD110FP4EA-52S	460V, 11KW / 15HP, Inbuilt PLC, Braking chopper, DC Choke, EMC Filter, IP55 + SDF	On Request
VFD150FP4EA-52S	460V, 15KW / 20HP, Inbuilt PLC, Braking chopper, DC Choke, EMC Filter, IP55 + SDF	On Request
VFD185FP4EA-52S	460V, 18.5KW / 25HP, Inbuilt PLC, Braking chopper, DC Choke, EMC Filter, IP55 + SDF	On Request
VFD220FP4EA-52S	460V, 22KW / 30HP, Inbuilt PLC, Braking chopper, DC Choke, EMC Filter, IP55 + SDF	On Request
VFD300FP4EA-52S	460V, 30KW / 40HP, Inbuilt PLC, Braking chopper, DC Choke, EMC Filter, IP55 + SDF	On Request
VFD370FP4EA-52S	460V, 37KW / 50HP, Inbuilt PLC, Braking chopper, DC Choke, EMC Filter, IP55 + SDF	On Request
VFD450FP4EA-52S	460V, 45KW / 60HP, DC Choke, Inbuilt PLC, DC Choke, EMC Filter, IP55 + SDF	On Request
VFD550FP4EA-52S	460V, 55KW / 75HP, DC Choke, Inbuilt PLC, DC Choke, EMC Filter, IP55 + SDF	On Request
VFD750FP4EA-52S	460V, 75KW / 100HP, DC Choke, Inbuilt PLC, DC Choke, EMC Filter, IP55 + SDF	On Request
VFD900FP4EA-52S	460V, 90KW / 120HP, DC Choke, Inbuilt PLC, DC Choke, EMC Filter, IP55 + SDF	On Request

"VE" Series

Input : 3 Phase/460V, Output: 3 Phase/460V

Model	Description	Price
VFD007V43A-2	415V, 0.75KW / 1HP, Inbuilt Braking chopper	30285
VFD015V43A-2	415V, 1.5KW / 2HP, Inbuilt Braking chopper	34485
VFD022V43A-2	415V, 2.2KW / 3HP, Inbuilt Braking chopper	37430
VFD037V43A-2	415V, 3.7KW / 5HP, Inbuilt Braking chopper	41290
VFD055V43A-2	415V, 5.5KW / 7.5HP, Inbuilt Braking chopper	57845
VFD075V43A-2	415V, 7.5KW / 10HP, Inbuilt Braking chopper	64990
VFD110V43B-2	415V, 11KW / 15HP, Inbuilt Braking chopper	81495
VFD150V43A-2	415V, 15KW / 20HP	89605
VFD185V43A-2	415V, 18.5KW / 25HP	116030
VFD220V43A-2	415V, 22KW / 30HP	133495
VFD300V43A-2	415V, 30KW / 40HP	180095
VFD370V43A-2	415V, 37KW / 50HP	201505
VFD450V43A-2	415V, 45KW / 60HP	239285
VFD550V43C-2	415V, 55KW / 75HP	289660
VFD750V43C-2	415V, 75KW / 100HP	346335

"ED" Series

Input : 1 Phase/230V, Output: 3 Phase/230V

Model	Description	Price
VFD022ED21S	230V, 2.2KW, Inbuilt Braking Chopper, Inbuilt LED Keypad	58185

Input : 3 Phase/460V, Output: 3 Phase/460V

Model	Description	Price
VFD040ED43S	415V, 4.0KW, Inbuilt Braking Chopper, Inbuilt LED Keypad	50245
VFD055ED43S	415V, 5.5KW, Inbuilt Braking Chopper, Inbuilt LED Keypad	51155
VFD075ED43S	415V, 7.5KW, Inbuilt Braking Chopper, Inbuilt LED Keypad	61760
VFD110ED43S	415V, 11KW, Inbuilt Braking Chopper, Inbuilt LED Keypad	80100
VFD150ED43S	415V, 15KW, Inbuilt Braking Chopper, Inbuilt LED Keypad	94140
VFD185ED43S	415V, 18.5KW, Inbuilt Braking Chopper, Inbuilt LED Keypad	122270
VFD220ED43S	415V, 22KW, Inbuilt Braking Chopper, Inbuilt LED Keypad	138825
VFD300ED43S	415V, 30KW, Inbuilt Braking Chopper, Inbuilt LED Keypad	218220
VFD370ED43S	415V, 37KW, Inbuilt LED Keypad	238030
VFD450ED43S	415V, 45KW, Inbuilt LED Keypad	267450
VFD550ED43S	415V, 55KW, Inbuilt LED Keypad	319890
VFD750ED43S	415V, 75KW, Inbuilt LED Keypad	383485
EMED-PGHSD-1	PG card for Heidenhain Sin/Cos & EnDat	9755
EMED-PGHSD-2	PG card for Heidenhain Sin/Cos & EnDat	9755
EMED-PGABD-1	PG card for Open Collector type, Line Driver type & UVW type	5615
EMED-PGHSD-4	PG card for Heidenhain Sin/Cos & EnDat	9755

Accessories for AC Drive

Model	Name & Description	Price
VFDB4030	1 No. Braking Unit for 15-30KW, 2 Nos. to be considered for 55KW	21695
VFDB4045	1 No. Braking Unit for 37,45KW, 2 Nos. to be considered for 75,90KW	24335
VFDB4110	1 No. Braking Unit for 110KW, 2 Nos. to be considered for 200,220KW	81290
VFDB4160	1 No. Braking Unit for 132,160KW, 2 Nos. to be considered for 250,280,315KW 3 Nos. to be considered for 400KW, 4 Nos. to be considered for 560KW	106465
VFDB4185	1 No. Braking Unit for 185KW, 2 Nos. to be considered for 355KW, 3 Nos. to be considered for 450, 500KW	126260
EG2010A	2 mts extension cable for remote keypad & VFD (M, E, MS, C200 series)	1035
EG5010A	5 mts extension cable for remote keypad & VFD (M, E, MS, C200 series)	1550
LC-M02E	M series Keypad	1550
VFD-PU06	Universal copy keypad for M, B, E, VL	6070
VFD-PU08	Optional keypad for EL, EL-W, ME	On Request

Accessories - E/EL series

Model	Name & Description	Price
CME-DN01	Communication Module DeviceNet	6985
CME-PD01	Communication Module Profibus	14485
CME-USB01	Communication Module for PC	3435
EME-D33A	I/O card (3 inputs & 3 opto output)	1550
EME-R2CA	Relay card	1780
EME-R3AA	Relay Card (C,NO x 3)	1780
EME-PG01	PG Card	2180
EME-A22A	Analogue Input & Output Card	2750
BUE-20015	Braking Unit (0.2-1.5kw) 230V	3895
BUE-20037	Braking Unit (2.2-3.7kw) 230V	5955
BUE-40015	Braking Unit (0.4-1.5kw) 415V	5955
BUE-40037	Braking Unit (2.2-3.7kw) 415V	9450

Accessories - VE series

Model	Name & Description	Price
EMV-PG01L/2L	PG Card (for Line Driver output)	6985
EMV-PG01O/2O	PG Card (for open collector output)	6985
EMV-PG01X/2X	PG Card (for 5 & 12V)	4810
KPV-CE01	Keypad for VE Series	8820

Accessories for C2000 Plus Drive

Model	Name & Description	Price
CMC-EIP01	Communication Card - EtherNet IP	9505
CMC-MOD01	Communication Card - MODBUS	8190
CMC-DN01	Communication Card - Device Net	13855
CMC-PD01	Communication Card - Profibus	22045
EMC-BPS01	External Power Supply Card	9450
EMC-COP01	Communication Card - CANOpen	5670
EMC-D42A	I/O Card (4 Inputs & 2 Outputs)	2865
EMC-D611A	I/O Card (6 Inputs)	2865
EMC-PG01L	PG Card - Line Driver output type	11340
EMC-PG01O	PG Card - Open Collector output type	8190
EMC-PG02O	PG Card - Open Collector output type	8190
EMC-PG01U	PG Card - UVW input type	12255
EMC-PG01R	Resolver Card	12255
EMC-R6AA	Relay Extension card	4160
KPC-CC01	Keypad for C2000 Plus	On Request

Accessories - CP2000 series

Model	Name & Description	Price
MKC-DN1CB	Conduit Box Kit, Suitable for (45 to 90) KW CP2000	11340
MKC-EN1CB	Conduit Box Kit, Suitable for (110 & 132) KW CP2000	13855
MKC-FN1CB	Conduit Box Kit, Suitable for (160 & 185) KW CP2001	20150
MKC-GN1CB	Conduit Box Kit, Suitable for (220 & 280) KW Cp2002	36525

Accessories - MS300 series

Model	Name & Description	Price
CMM-DN01	Communication Card DeviceNet	8590
CMM-EIP01	Communication Card EtherNet/IP	10700
CMM-PD01	Communication Card Profibus DP	18190
CMM-MOD01	Communication Card Modbus TCP	6870
CMM-COP01	Communication Card CANopen	8025
CMM-EC01	Communication Card EtherCAT	14980
EMM-BPS01	I/O Extension Card - DC 24V	8590
KPMS-LE01	Keypad for MS300	On Request

PROGRAMMABLE LOGIC CONTROLLER (PLC)

DVP Slim Series CPU

Main Power Source: DC O/P Type: R - Relay, T - Transistor

Model	I/O Points	Price
DVP12SE11R/T	DI/DO:8/4 (With ethernet port)	25310
DVP14SS211R/T	DI/DO:8/6	9480
DVP12SA211R/T	DI/DO:8/4	10275
DVP10SX11R/T	DI/DO:4/2 + AI/AO: 2/2	16460
DVP20SX211R/S/T	DI/DO:8/6 + AI/AO: 4/2	31425
DVP28SV11R2/T2/S2	DI/DO:16/12 - 4 CH Pulse Output (200Khz)	24950

Digital Extension Module for DVP Slim series

O/P Type: R - Relay T - Transistor

Model	I/O Points	Price
DVP08SN11R/T	0/8	5440
DVP16SP11R/T	8/8	6215
DVP16SP11TS	8/8 (PNP Output)	7065
DVP16SM11N	16/0	6215
DVP08SP11R/T	4/4	5440
DVP08SM11N	8/0	3110
DVP16SN11T	0/16	7330
DVP32SM11N	32/0	7770
DVP32SN11TN	0/32	8550

Analog Extension Module for DVP Slim series

Model	I/O Points	Price
DVP04AD-S	4/0 (14 bit resolution)	10945
DVP04DA-S	0/4 (12 bit resolution)	16390
DVP02DA-S	0/2 (12 bit resolution)	13985
DVP04PT-S	4/0(RTD input)	14065
DVP04TC-S	4/0(Thermocouple input)	14065
DVP06XA-S	4/2(12 bit resolution)	12430
DVP06AD-S	6/0 (14 bit resolution)	11725
DVP06PT-S	6 channel Platinum RTD Sensor Input	16940
DVP08NTC-S	8 point Thermistor (NTC) Input	19250
DVP02TUN-S/L/R	2 point Universal Analog input	13750

Special Extension Module for DVP Slim Series

Model	I/O Points	Price
DVPDT01-S	Device Net Slave Module	14300
DVPPF01-S	PROFIBUS Slave Module	24860
DVP01PU-S	Single axis Position control Module	17090
DVP08ST11N	8/0 (Dip switch Ext.)	5440
RTU-485	Modbus Remote I/O	7770
RTU-EN01	EtherNet Remote I/O Module	21690
RTU-DNET	DeviceNet Remote I/O Module	17090
RTU-ECAT	EtherCAT remote IO module	14750

Left Side Extension Module for DVP Slim series

Model	Description	Price
DVP04AD-SL	4 CH Analog Input (16bit) High Speed Module	13540
DVP04DA-SL	4 CH Analog Output (16bit) High Speed Module	29310
DVPEN01-SL	Ethernet Module	28250
DVPDNET-SL	DeviceNet Master / Slave Module	22895
DVPCOPM-SL	CANopen Master Module	22895
DVP01LC-SL	1 Ch. Load cell Module Reso.20 Bit	18720
DVP02LC-SL	2 Ch. Load cell Module Reso.20 Bit	28870
DVP201LC-SL	1 Ch. Load cell Module Reso.24 Bit	19895
DVP202LC-SL	2 Ch. Load cell Module Reso.24 Bit	30170
DVP211LC-SL	1 Ch. Load cell Reso.24 Bit with 2DI/4DO/1AO	30170
DVPSCM12-SL	Serial Comm. Module, 2 Serial port 485/422	21010
DVPSCM52-SL	BACnet MS/TP Slave Comm. Module	43025
DVPPF02-SL	Profibus DP Slave Module Left Side	19360
TAP-CP01	Devicenet Power Distribution Box	7180
TAP-CN01	DeviceNet & CAN open's Distribution box for 1 Slave device	7005
TAP-CN02	DeviceNet & CAN open's Distribution box for 3 Slave device (Terminal Connection)	9325
TAP-CN03	DeviceNet & CAN open's Distribution box for 3 Slave device (RJ Connection)	5440

Power Supply Module for DVP Series PLC

Model	Description	Price
DVPPS01	24V DC 1Amp SMPS	2945
DVPPS02	24V DC 2Amp SMPS	3885
DVPPS05	24V DC 5Amp SMPS	7770

“ EH3” Series CPU

Main Power Source: AC O/P Type: R - Relay, T - Transistor

Model	I/O Points	Price
DVP16EH00R3/T3	DI/DO:8/8	20915
DVP20EH00R3/T3	DI/DO:12/8 (2 CH 200 KHz Pulse Output)	24180
DVP32EH00R3/T3	DI/DO:16/16 (2 CH 200 KHz Pulse Output)	29795
DVP32EH00M3	DI/DO:16/16 (differential signal I/P)	35285
DVP32EH00R3/T3-L	DI/DO:16/16 with left side option	33980
DVP40EH00R3/T3	DI/DO:24/16 (4 CH 200 KHz Pulse Output)	33980
DVP48EH00R3/T3	DI/DO:24/24	38815
DVP64EH00R3/T3	DI/DO:32/32	42085
DVP80EH00R3/T3	DI/DO:40/40	50640

"EH3"- Digital Extension unit. I/P Type: DC Sink OR Source.

Main Power Source: DC O/P Type: R - Relay, T - Transistor

Model	I/O Points	Price
DVP08HP11R/T	4/4	7830
DVP08HM11N	8/0	6270
DVP08HN11R/T	0/8	9390
DVP16HM11N	16/0	10875
DVP16HP11R/T	8/8	11655
DVP32HP00R/T	16/16	20200
DVP48HP00R/T	24/24	32630
DVP32HN00R/T	0/32	21755

"EH3"- Analog Extension unit.

Model	I/O Points	Price
DVP04AD-H2	4/0 (14 bit resolution)	21755
DVP04DA-H2	0/4 (12 bit resolution)	27960
DVP04PT-H2	4/0 (RTD Input)	24860
DVP04TC-H2	4/0 (Thermocouple input)	24925
DVP06XA-H2	4/2 (12 bit resolution)	21805
DVP04AD-H3	4/0 (16 bit resolution)	23955
DVP04DA-H3	0/4 (16 bit resolution)	28745
DVP06XA-H3	4/2 (16 bit resolution)	25245
DVP08TC-H2	8 Ch; (J,K,R,S,T type); Reso. 0.1 Deg C	37490

"EH3"- Special Extension Module / Function Card

Model	I/O Points	Price
DVP01PU-H2	Single Axis Controller (Pulse Output Module)	20200
DVP01HC-H2	1 CH High Speed Counter Module	15540
DVP-F232	Comport Expansion for 232-COM2	1620
DVP-F422	Comport Expansion for 422-COM2	1555
DVP-F2AD	Additional 2 Analog Input	4660
DVP-F2DA	Additional 2 Analog Output	5005
DVP-F232S	Additional Comport---COM3 Slave (RS232)	3885
DVP-F485S	Additional Comport---COM3 Slave (RS485)	3955
DVP-512FM	Program copy card for EH3 only	1750
DVP-F485	485 Function card	4085
DVP-FEN01	EH3 Function card EtherNet	7770

" EC3" Series Non Expandable CPU

Main Power Source: AC O/P Type: R - Relay, T - Transistor

Model	I/O Points	Price
DVP10EC00R3/T3	6DI/4DO Non Expandable CPU	8555
DVP14EC00R3/T3	8DI/6DO Non Expandable CPU	9270
DVP16EC00R3/T3	8DI/8DO Non Expandable CPU	9745
DVP20EC00R3/T3	12DI/8DO Non Expandable CPU	10425
DVP24EC00R3/T3	12DI/12DO Non Expandable CPU	12415
DVP30EC00R3/T3	18DI/12DO Non Expandable CPU	12940
DVP32EC00R3/T3	16DI/16DO Non Expandable CPU	13545
DVP40EC00R3/T3	24DI/16DO Non Expandable CPU	14320
DVP48EC00R3/T3	28DI/20DO Non Expandable CPU	16695
DVP60EC00R3/T3	36DI/24DO Non Expandable CPU	22870

DVP-PM / MC Series Motion CPU

Main Power Source: AC / DC O/P Type: Transistor

Model	I/O Points	Price
DVP10PM00M	4 Axis Positioning Module (1MHz PTO)	39530
DVP10MC11T	16 Axis Motion Controller (8DI/4DO) (CANopen DSP402 Motion Protocol)	81285
DVP20PM00D	2 axis professional motion controller CPU 500khz o/p freq., 64 k steps	53525
DVP20PM00M	3 axis professional motion controller CPU 500khz o/p freq., 64 k steps	67125
DVP15MC11T	24 Axis Motion Controller (16DI/8DO) (CANopen DSP402 Motion Protocol)	120000
DVP15MC11T-06	Motion PLC 16 DI; 8 DO (Differential) 6 Axis Control CANopen DS402 & DS301 with Ethernet	91000
DVP50MC11T-06	Motion PLC 16DI:8DO (Differential) 6 Axis EtherCAT Control and built in Ethernet	98000
DVP50MC11T	Motion PLC 16DI:8DO (Differential) 24 Axis EtherCAT Control and built in Ethernet	199000

"ES2" / "EX2" Series
Standard & Main Function unit. I/P Type: DC Sink OR Source
Main Power Source: AC O/P Type: R - Relay, T - Transistor

Model	I/O Points	Price
DVP16ES200R/T	8/8	11760
DVP24ES200R/T	16/8	15685
DVP32ES200R/T	16/16	18820
DVP40ES200R/T	24/16	20390
DVP60ES200R/T	36/24	26660
DVP32ES200RC/TC	16/16 built in Canopen Communication port	30600

Extension Unit I/P Type: DC Sink OR Source.
Main Power Source: AC O/P Type: R - Relay, T - Transistor

Model	I/O Points	Price
DVP32XP200R/T	16/16	13985
DVP24XP200R/T	16/8	10875
DVP24XN200R/T	0/24	12420

Extension Unit I/P Type: DC Sink OR Source.
Main Power Source: DC O/P Type: R - Relay, T - Transistor

Model	I/O Points	Price
DVP08XN211R/T	0/8	6215
DVP08XP211R/T	4/4	5440
DVP16XN211R/T	0/16	9325
DVP08XM211N	8/0	3120
DVP16XM211N	16/0	6215
DVP16XP211R/T	8/8	9420

Analogue Input / Outputs

Model	I/O Points	Price
DVP02DA-E2	2AO	13985
DVP04DA-E2	4AO	18255
DVP04AD-E2	4AI	14630
DVP06XA-E2	4AI + 2 AO	18245
DVP04PT-E2	4 PT100 Inputs	12500
DVP04TC-E2	4 Thermocouple Inputs	13725

MPU with Analog I/O-- EX Series I/P Type: DC Sink/Source or AC Model
Main Power Source: AC O/P Type: R - Relay, T - Transistor

Model	I/O Points	Price
DVP20EX200R/T	8 DI, 6 DO, 4AI, 2 AO	18820
DVP30EX200R/T	16 DI, 10 DO, 3 AI(16bit), 2 AO(12bit)	30600

AS-300 CPU

Model	Description	Price
AS332T-A	128K steps, 16DI / 16DO, 6-axis high speed NPN PTO, 6 HSC, 1 Micro SD interface, 1 USB port, 1 Ethernet port	43790
AS332P-A	128K steps, 16DI / 16DO, 6-axis high speed PNP PTO, 6 HSC, 1 Micro SD interface, 1 USB port, 1 Ethernet port	44965
AS324MT-A	128K steps, 12DI / 12DO, 6-axis high speed PTO (2-axis differential output and 4-axis PNP), 6 HSC (including 2x differential inputs), 1 Micro SDinterface, 1 USB port, 1 Ethernet port	43790
AS228T-A	64K steps, 6-axis PTO, 4 HSC, 1 Micro SD interface, 1 USB port, 1 Ethernet port with 16DI & 12 DO NPN	36900
AS228P-A	64K steps, 6-axis PTO, 4 HSC, 1 Micro SD, 1 USB port, 1 Ethernet port with 16DI & 12 DO PNP	37905
AS228R-A	64K steps, 6-axis PTO, 4 HSC, 1 Micro SD interface, 1 USB port, 1 Ethernet port with 16DI & 12 DO Relay	36900
AS218TX-A	64K steps, 3-axis PTO, 4 HSC, 1 Micro SD interface, 1 USB port, 1 Ethernet port with 8DI/6DO NPN/2AI/2AO	36895
AS218RX-A	64K steps, 3-axis PTO, 4 HSC, 1 Micro SD interface, 1 USB port, 1 Ethernet port with 16DI/12DO PNP/ 2AI/2AO	36895
AS218PX-A	64K steps, 3-axis PTO, 4 HSC, 1 Micro SD interface, 1 USB port, 1 Ethernet port with 16DI/12DO Relay/ 2AI/2AO	37895
AS320T-B	64K steps, 6-axis PTO, 4 HSC, 1 Micro SD interface, 1 USB port, 1 Ethernet port with 8DI & 12 DO NPN	36895
AS524C-B	Motion PLC 16DI: 8DO 24 Axis CANopen, CAN Motion with built in Ethernet Built 2 Incremental Input 1 ch SSI Abs. Encoder	144100
AS516E-B	Motion PLC 16DI: 8DO 24 Axis EtherCAT with built in Ethernet & CANOpen Built 2 Incremental Input 1 ch SSI Abs. Encoder	144100
AS300N-A	128K steps CPU without IO 1 Micro SD interface, 1 USB port, 1 Ethernet, 2*RS-485 port	25850

AS-Function Card

Model	Description	Price
AS-F232	RS-232 serial communication card	3375
AS-F422	RS-422 serial communication card	4345
AS-F485	RS-485 serial communication card	3850
AS-FCOPM	CANopen DS301 communication card	8685
AS-F2AD	2-channel analog input card, 12-Bit	6735
AS-F2DA	2-channel analog output card, 12-Bit	8225
AS-FEN02	Ethernet Port-2 supports EtherNet/IP / MODBUS TCP	12360
AS-FPFN02	Profinet Slave Module	22660

AS-DIO

Model	Description	Price
AS08AM10N-A	08 Points DI	6035
AS08AN01T-A	08 Points DO NPN	8165
AS08AN01R-A	08 Points DO Relay	8165
AS08AN01P-A	08 Points DO PNP	8165
AS16AM10N-A	16 point DI	11600
AS16AP11T-A	08 DI / 08 DO NPN	11840
AS16AP11R-A	08 DI / 08 DO Relay	11840
AS16AP11P-A	08 DI / 08 DO PNP	11840
AS16AN01T-A	16 Points DO NPN	11895
AS16AN01R-A	16 Points DO Relay	12245
AS16AN01P-A	16 Points DO PNP	12245
AS32AM10N-A	32 Points DI	16325
AS32AN02T-A	32 Points DO NPN	16765
AS64AM10N-A	64 Points DI	26060
AS64AN02T-A	64 Points DO NPN	27520

AS-AIO

Model	Description	Price
AS04AD-A	04 channel AI 16 bit Resolution	17490
AS04DA-A	04 channel AO 12 bit Resolution	19920
AS08AD-B	08 channel (0~5V, 1~5V, -5~5V, 0~10V, -10~10V) AI 16 bit resolution	25715
AS08AD-C	08 channel (0~20mA, 4~20mA, -20~20mA) AI 16 bit resolution	25715
AS06XA-A	04 AI 16 bit / 02 AO 12 bit Resolution	19825
AS04RTD-A	04 Channel RTD 0.1 Deg/0.1F	20290
AS04TC-A	04 Channel TC 0.1 Deg/0.1F	20290
AS08TC-A	08 Channel TC 0.1 Deg/0.1F	27695
AS06RTD-A	06 Channel RTD/NI 0.1 Deg/0.1F	23440
AS02LC-A	2 Channel Loadcell Module 24 bit Resolution	33350
AS02PU-A	Differential 2 channel 200KHz Servo Positioning Module & 1 channel 200KHz Input	24640
AS04PU-A	Open Collector 4 Channel 100KHz Servo Positioning Module	32780

AS-NIO

Model	Description	Price
AS00SCM-A	Serial & CANopen Communication space Module card	14460
AS01DNET-A	DeviceNet Communication Module (Master/Slave)	28510

AS POWER

Model	Description	Price
AS-PS02	"Power supply module, 24VDC, 2A: for internal use only (CPU and the modules)"	4970
AS-PS02A	"Power supply module, 24VDC, output: 1.5A (for internal use: CPU and the modules), 0.5A (for external use)"	5775

Accessory Cable & Connector

Model	Description	Price
UC-ET010-24D	1 mtr. IO Extension Cable (MIL Connector IDC40 to IDC 20x2) (Shielded) AS332T, AS332P, AS324MT, AS32AM, AS64AM, AS32AN, AS64AN	6435
UC-ET020-24D	2 mtr. IO Extension Cable (MIL Connector IDC40 to IDC 20x2) (Shielded) AS332T, AS332P, AS324MT, AS32AM, AS64AM, AS32AN, A S64AN	8280
UC-ET030-24D	3 mtr. IO Extension Cable (MIL Connector IDC40 to IDC 20x2) (Shielded) AS332T, AS332P, AS324MT, AS32AM, AS64AM, AS32AN, A S64AN	9660
UB-10-ID16A	16 I/P or O/P (MIL Connector, 20 Pin) AS332T, AS332P, AS324MT, AS32AM, AS64AM, AS32AN, AS64AN	3220
UC-ET010-24B	1 mtr. IO Extension Cable (MIL Connector IDC40 to IDC 40) (Shielded) AS32AM, AS64AM, AS32AN, AS64AN	4155
UC-ET020-24B	2 mtr. IO Extension Cable (MIL Connector IDC40 to IDC 40) (Shielded) AS32AM, AS64AM, AS32AN, AS64AN	5535
UC-ET030-24B	3 mtr. IO Extension Cable (MIL Connector IDC40 to IDC 40) (Shielded) AS32AM, AS64AM, AS32AN, AS64AN	6435
UB-10-ID32A	32 I/P (MIL Connector, 40 Pin) AS32AM, AS64AM	4550
UB-10-OR16A	16 Relay O/P MIL connector for NPN AS332T, AS32AN02T, AS64AN02T	8810
UB-10-OR16B	16 Relay O/P MIL connector for PNP AS332P	8810
UB-10-OT32A	32 Transistor O/P, MIL connector for PNP AS32AN, AS64AN	4550
UB-10-IO32D	Connector Converter MIL to Spring	7560
FR-40	Terminal Board for IO wiring of AS32/64 IO module	1650
R40P01.0L	1 Mtr. FRC Cable 40 x 40 pin	960

HMI

TEXT-PANEL

Model	Description			Price
	Display Size	Specification (Monochrome, Text Panel)	Display Resolution (Pixels)	
TP02G-AS1	2.8"	2 Line, 16 Character	160 x 32	9800
TP04G-AS2	3"	4 Line, 16 Character	128 x 64	12205
TP04G-AL2	4.1"	RTC 4 Lines, 24 Character	192 x 64	11875
TP08G-BT2	3.8"	8 Lines, 16 Character	240 x 128	16020

TEXT PANEL WITH INBUILT PLC

Model	Description			Price
	Display Size	Specification (Monochrome, Text Panel)	Display Resolution (Pixels)	
TP04P-16TP1R	4.1"	8DI/8DO, USB & TWO RS485	192 x 64	18640
TP04P-32TP1R	4.1"	16DI/16DO, USB & TWO RS485	192 x 64	21355
TP04P-22XA1R	4.1"	8DI/8DO/ 4AI/2AO USB & TWO RS485	192 x 64	27910
TP04P-21EX1R	4.1"	8DI/8DO/ 2AI/1AO/2PT USB & TWO RS485	192 x 64	29065

TOUCH PANEL HMI WITH INBUILT PLC

Model	Description			Price
	Display Size (Inch)	Touch Screen with basic function (65536 Colors TFT)	Display Resolution (Pixels)	
TP70P-16TP1R	7"	8DI/8DO, USB & RS485	800 x 480	30050
TP70P-32TP1R	7"	16DI/16DO, USB & RS485	800 x 480	34150
TP70P-22XA1R	7"	8DI/8DO/ 4AI/2AO USB & RS485	800 x 480	35825
TP70P-21EX1R	7"	8DI/8DO/ 2AI/1AO/2PT USB & RS485	800 x 480	38715

HUMAN MACHINE INTERFACE DOP-100 SERIES

Model	Description	Price
DOP-103BQ	4.3" Reso. 480x272 RS-422/RS-485 USB Client & Host	18820
DOP-103WQ	4.3" Reso. 480x272 RS-422/RS-485 Ethernet USB Client & Host	28835
DOP-107BV	7.0" Reso. 800x480 RS232/RS-422/RS-485 USB Client & Host Basic	26520
DOP-107CV	7.0" Reso. 800x480 RS232/RS-422/RS-485 USB Client & Host	27360
DOP-107EG	7.0" Reso. 800x600 RS-422/RS-485 Ethernet USB Client & Host SD Card	35385
DOP-107EV	7.0" Reso. 800x480 RS-422/RS-485 USB Client & Host	31175
DOP-107WV	7.0" Reso. 800x480 RS-422/RS-485 Ethernet USB Client & Host	30890
DOP-110CS	10" Reso. 1024x600 RS-422/RS-485 USB Client & Host	49115
DOP-110IS	10.1" Reso. 1024x600 RS-422/RS-485 Ethernet USB Client & Host SD Card PS Ver	66070
DOP-110WS	10.1" Reso. 1024x600 RS-422/RS-485 Ethernet USB Client & Host SD Card	66070
DOP-112WX	12" Reso. 1024x768 RS-422/RS-485 2 Ethernet USB Client & Host SD Card	125840
DOP-112MX	12" Reso. 1024x768 RS-422/RS-485 2 Ethernet USB Client & Host SD Card Advanced Multimedia	139360
DOP-115MX	15" Reso. 1024x768 RS-422/RS-485 2 Ethernet USB Client & Host SD Card Advanced Multimedia	160620
DOP-115WX	15" Reso. 1024x768 RS-422/RS-485 2 Ethernet USB Client & Host SD Card	148720
DOP-W127B	12.1" Reso. 1024x768 RS-422/RS-485 2 Ethernet USB Client & Host SD Card	125840
DOP-W157B	15" Reso. 1024x768 RS-422/RS-485 2 Ethernet USB Client & Host SD Card	148720
DOP-CAUSAB	USB Communication Cable	1280

TP ACCESSORY

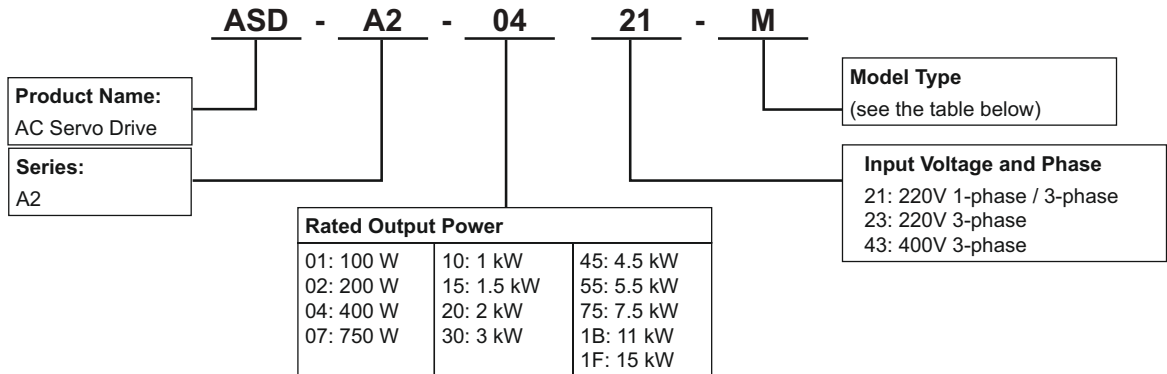
Model	Description	Price
TP-PCC01	Program copy card for TP only	6005

DELTA COMMUNICATION CABLE (PLC & HMI)

Model	Description	Price
UC-MS030-01A	Communication cable for PLC(8-pin mini-DIN male) to PC, 3M	975
DVPACAB4A07	Extension cable for EH3 PLC 0.7M	475
UC-PRG030-10A	Communication cable for PLC/HMI/TP(DB9 female) to PC, 3M	1240
UC-PRG020-12A	Programming cable for DVP PLC	3795
UC-ET010-24A	I/O extension cable for external terminal modules(IDC connector), 1M	3110
UC-ET010-24C	I/O extension cable for external terminal modules(IDC connector), 1M	3110

AC SERVO SYSTEM

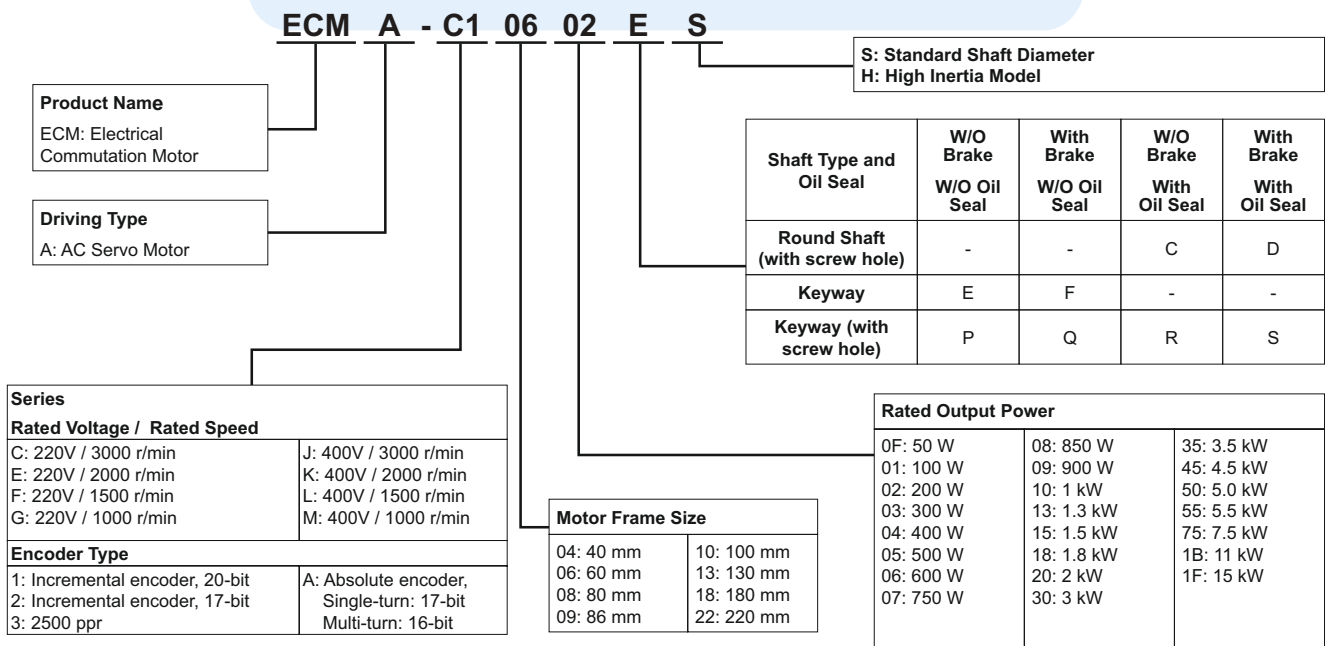
Model Explanation ASDA-A2 Series Servo Drives



	Type	RS-485 (CN3)	Full-Closed Control (CN5) *1	Extension Port for Digital Input (CN7)	EtherCAT *4	CANopen	DMCNET	Analog Voltage Control	Pulse Input Port	PR Parameters	E-Cam *3
Standard Model	L	○	○	X	X	X	X	○	○	○	X
	U	○	○	○	X	X	X	○	○	○	○
Network Model	E	X	○	○	○	X	X	X	X	○	○
	F	○	○	X	X	X	○	X	X	○ ²	X
	M	○	○	X	X	○	X	○	○	○	○

- NOTE**
- In PR mode, only A2-F supports full-closed control function.
 - When applying communication mode (A2-E, -F, -M models), PR parameters can be read and written through DMCNET only.
 - E-cam function can only be used in PR mode.
 - For information about ASDA A2-E EtherCAT interface servo drive, please refer to the ASDA A2-E brochure.

ECMA Series Servo Motors



'A2' SERIES (Without Brake)

O/P Watts	Motor	Price	Torque Nm	Rated RPM	Driver	Price	Package Price
100 L	ECMA-C10401ES/RS	25935	0.32	3000	ASD-A2-0121-U*	38265	64200
200 L	ECMA-C10602ES/RS	28730	0.64	3000	ASD-A2-0221-U*	38265	66995
400 L	ECMA-C10604ES/RS	30130	1.27	3000	ASD-A2-0421-U*	40550	70680
750 L	ECMA-C10807ES/RS	35470	2.39	3000	ASD-A2-0721-U*	47800	83270
1000 L	ECMA-C11010ES/RS	42330	3.18	3000	ASD-A2-1021-U*	54665	96995
2000 L	ECMA-C11020ES/RS	53140	6.37	3000	ASD-A2-2023-U*	83125	136265
3000 L	ECMA-C11330E4/R4	88345	9.55	3000	ASD-A2-3023-U*	93560	181905
500 M	ECMA-E11305ES/RS	41950	2.39	2000	ASD-A2-0421-U*	40550	82500
1000 M	ECMA-E11310ES/RS	46525	4.77	2000	ASD A2-1021 U*	54665	101190
1500 M	ECMA-E11315ES/RS	53140	7.16	2000	ASD-A2-1521-U*	62925	116065
2000 M	ECMA-E11320ES/RS	64325	9.55	2000	ASD-A2-2023-U*	83125	147450
3000 M	ECMA-E11830ES/RS	88095	14.3	2000	ASD-A2-3023-U*	93560	181655
3000 H	ECMA-F11830ES/RS	95720	19.1	1500	ASD-A2-3023-U*	93560	189280
4500 H	ECMA-F11845ES/RS	129710	28.65	1500	ASD-A2-4523-U*	102490	232200
5500 H	ECMA-F11855P3/R3	171990	35.01	1500	ASD-A2-5523-U*	153815	325805
7500 H	ECMA-F11875P3/R3	221440	47.74	1500	ASD-A2-7523-U*	215970	437410

L-Low Inertia M-Medium Inertia H-High Inertia

*Replace U with M to get inbuilt CANOPEN communication port

'A2' SERIES (With Brake)

O/P Watts	Motor	Price	Torque Nm	Rated RPM	Driver	Price	Package Price
100 L	ECMA-C10401FS/SS	36905	0.32	3000	ASD-A2-0121-U	38265	75170
200 L	ECMA-C10602FS/SS	43095	0.64	3000	ASD-A2-0221-U	38265	81360
400 L	ECMA-C10604FS/SS	45130	1.27	3000	ASD-A2-0421-U	40550	85680
750 L	ECMA-C10807FS/SS	53295	2.39	3000	ASD-A2-0721-U	47800	101095
1000 L	ECMA-C11010FS/SS	63545	3.18	3000	ASD-A2-1021-U	54665	118210
2000 L	ECMA-C11020FS/SS	79705	6.37	3000	ASD-A2-2023-U	83125	162830
3000 L	ECMA-C11330F4/S4	125940	9.55	3000	ASD-A2-3023-U	93560	219500
500 M	ECMA-E11305FS/SS	62925	2.39	2000	ASD-A2-0421-U	40550	103475
1000 M	ECMA-E11310FS/SS	69695	4.77	2000	ASD-A2-1021-U	54665	124360
1500 M	ECMA-E11315FS/SS	79705	7.16	2000	ASD-A2-1521-U	62925	142630
2000 M	ECMA-E11320FS/SS	96485	9.55	2000	ASD-A2-2023-U	83125	179610
3000 M	ECMA-E11830FS/SS	132080	14.3	2000	ASD-A2-3023-U	93560	225640
3000 H	ECMA-F11830FS/SS	143515	19.1	1500	ASD-A2-3023-U	93560	237075
4500 H	ECMA-F11845FS/SS	194740	28.65	1500	ASD-A2-4523-U	102490	297230
5500 H	ECMA-F11855F3/S3	257985	35.01	1500	ASD-A2-5523-U	153815	411800
7500 H	ECMA-F11875F3/S3	332060	47.74	1500	ASD-A2-7523-U	215970	548030

L-Low Inertia M-Medium Inertia H-High Inertia

A2 Series - With Absolute Motor only for 17-bit Without Brake 220V

O/P Watts	Motor	Price	Torque Nm	Rated RPM	Driver	Price	Package Price
400 L	ECMA-CA0604RS	40015	1.27	3000	ASD-A2-0421-U	40550	80565
750 L	ECMA-CA0807RS	45355	2.39	3000	ASD-A2-0721-U	47800	93155
1000 L	ECMA-CA1010RS	52220	3.18	3000	ASD-A2-1021-U	54665	106885
2000 L	ECMA-CA1020RS	63025	6.37	3000	ASD-A2-2023-U	83125	146150
3000 L	ECMA-CA1330R4	98235	9.55	3000	ASD-A2-3023-U	93560	191795
500 M	ECMA-EA1305RS	51840	2.39	2000	ASD-A2-0421-U	40550	92390
1000 M	ECMA-EA1310RS	56415	4.77	2000	ASD-A2-1021-U	54665	111080
1500 M	ECMA-EA1315RS	63025	7.16	2000	ASD-A2-1521-U	62925	125950
2000 M	ECMA-EA1320RS	74205	9.55	2000	ASD-A2-2023-U	83125	157330
3000 M	ECMA-EA1830RS	97980	14.3	2000	ASD-A2-3023-U	93560	191540
3000 H	ECMA-FA1830RS	105605	19.1	1500	ASD-A2-3023-U	93560	199165
4500 H	ECMA-FA1845RS	139805	28.65	1500	ASD-A2-4523-U	102490	242295
5500 H	ECMA-FA1855R3	181875	35.01	1500	ASD-A2-5523-U	153815	335690
7500 H	ECMA-FA1875R3	231325	47.74	1500	ASD-A2-7523-U	215970	447295

L-Low Inertia M-Medium Inertia H-High Inertia

A2 Series - With Absolute Motor only for 17-bit With Brake 220V

O/P Watts	Motor	Price	Torque Nm	Rated RPM	Driver	Price	Package Price
400 L	ECMA-CA0604SS	55015	1.27	3000	ASD-A2-0421-U	40550	95565
750 L	ECMA-CA0807SS	63180	2.39	3000	ASD-A2-0721-U	47800	110980
1000 L	ECMA-CA1010SS	73430	3.18	3000	ASD-A2-1021-U	54665	128095
2000 L	ECMA-CA1020SS	103600	6.37	3000	ASD-A2-2023-U	83125	186725
3000 L	ECMA-CA1330S4	151905	9.55	3000	ASD-A2-3023-U	93560	245465
500 M	ECMA-EA1305SS	72810	2.39	2000	ASD-A2-0421-U	40550	113360
1000 M	ECMA-EA1310SS	80085	4.77	2000	ASD-A2-1021-U	54665	134750
1500 M	ECMA-EA1315SS	89590	7.16	2000	ASD-A2-1521-U	62925	152515
2000 M	ECMA-EA1320SS	106370	9.55	2000	ASD-A2-2023-U	83125	189495
3000 M	ECMA-EA1830SS	141965	14.3	2000	ASD-A2-3023-U	93560	235525
3000 H	ECMA-FA1830SS	153405	19.1	1500	ASD-A2-3023-U	93560	246965
4500 H	ECMA-FA1845SS	204630	28.65	1500	ASD-A2-4523-U	102490	307120
5500 H	ECMA-FA1855S3	267870	35.01	1500	ASD-A2-5523-U	153815	421685
7500 H	ECMA-FA1875S3	341950	47.74	1500	ASD-A2-7523-U	215970	557920

L-Low Inertia M-Medium Inertia H-High Inertia

A2 series 400 V - Without Brake

O/P Watts	Motor	Price	Torque Nm	Rated RPM	Driver	Price	Package Price
1000 L	ECMA-J11010RS	54435	3.18	3000	ASD-A2-1043-M	69145	123580
2000 L	ECMA-J11020RS	67220	6.37	3000	ASD-A2-2043-M	101565	168785
3000 L	ECMA-J11330R4	111760	9.55	3000	ASD-A2-3043-M	112970	224730
1000 M	ECMA-K11310RS	55790	4.77	2000	ASD-A2-1043-M	69145	124935
1500 M	ECMA-K11315RS	64745	7.16	2000	ASD-A2-1543-M	75485	140230
2000 M	ECMA-K11320RS	78585	9.55	2000	ASD-A2-2043-M	101565	180150
3000 H	ECMA-L11830RS	113965	19.1	1500	ASD-A2-3043-M	112970	226935
4500 H	ECMA-L11845RS	156470	28.65	1500	ASD-A2-4543-M	123915	280385
5500 H	ECMA-L11855R3	209745	35.01	1500	ASD-A2-5543-M	185505	395250
7500 H	ECMA-L11875R3	273505	47.74	1500	ASD-A2-7543-M	258510	532015

L-Low Inertia M-Medium Inertia H-High Inertia

A2 series 400 V - With Brake

O/P Watts	Motor	Price	Torque Nm	Rated RPM	Driver	Price	Package Price
1000 L	ECMA-J11010SS	81710	3.18	3000	ASD-A2-1043-M	69145	150855
2000 L	ECMA-J11020SS	100830	6.37	3000	ASD-A2-2043-M	101565	202395
3000 L	ECMA-J11330S4	167640	9.55	3000	ASD-A2-3043-M	112970	280610
1000 M	ECMA-K11310SS	83620	4.77	2000	ASD-A2-1043-M	69145	152765
1500 M	ECMA-K11315SS	97115	7.16	2000	ASD-A2-1543-M	75485	172600
2000 M	ECMA-K11320SS	117880	9.55	2000	ASD-A2-2043-M	101565	219445
3000 H	ECMA-L11830SS	162760	19.1	1500	ASD-A2-3043-M	112970	275730
4500 H	ECMA-L11845SS	234630	28.65	1500	ASD-A2-4543-M	123915	358545
5500 H	ECMA-L11855S3	314700	35.01	1500	ASD-A2-5543-M	185505	500205
7500 H	ECMA-L11875S3	410310	47.74	1500	ASD-A2-7543-M	258510	668820

L-Low Inertia M-Medium Inertia H-High Inertia

A2 Series - With Absolute Motor only for 17-bit Without Brake 400V

O/P Watts	Motor	Price	Torque Nm	Rated RPM	Driver	Price	Package Price
1000 L	ECMA-JA1010RS	65305	3.18	3000	ASD-A2-1043-M	69145	134450
2000 L	ECMA-JA1020RS	78090	6.37	3000	ASD-A2-2043-M	101565	179655
3000 L	ECMA-JA1330R4	122635	9.55	3000	ASD-A2-3043-M	112970	235605
1000 M	ECMA-KA1310RS	66670	4.77	2000	ASD-A2-1043-M	69145	135815
1500 M	ECMA-KA1315RS	75620	7.16	2000	ASD-A2-1543-M	75485	151105
2000 M	ECMA-KA1320RS	89460	9.55	2000	ASD-A2-2043-M	101565	191025
3000 H	ECMA-LA1830RS	124840	19.1	1500	ASD-A2-3043-M	112970	237810
4500 H	ECMA-LA1845RS	167345	28.65	1500	ASD-A2-4543-M	123915	291260
5500 H	ECMA-LA1855R3	220620	35.01	1500	ASD-A2-5543-M	185505	406125
7500 H	ECMA-LA1875R3	284380	47.74	1500	ASD-A2-7543-M	258510	542890

L-Low Inertia M-Medium Inertia H-High Inertia

A2 Series - With Absolute Motor only for 17-bit With Brake 400V

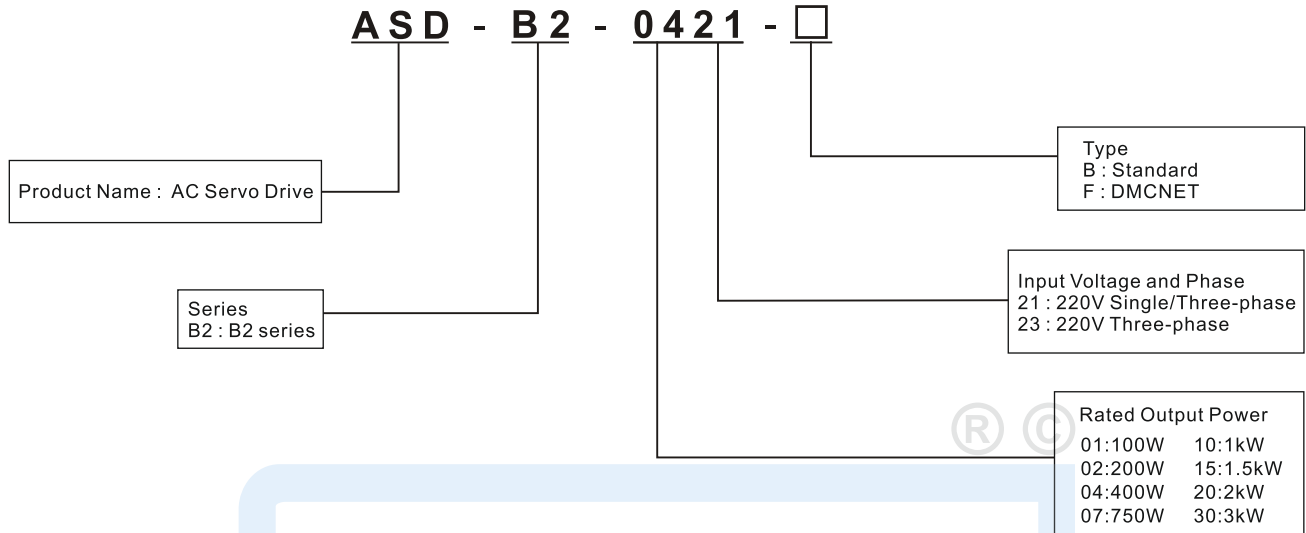
O/P Watts	Motor	Price	Torque Nm	Rated RPM	Driver	Price	Package Price
1000 L	ECMA-JA1010SS	99920	3.18	3000	ASD-A2-1043-M	69145	169065
2000 L	ECMA-JA1020SS	120635	6.37	3000	ASD-A2-2043-M	101565	222200
3000 L	ECMA-JA1330S4	192750	9.55	3000	ASD-A2-3043-M	112970	305720
1000 M	ECMA-KA1310SS	102055	4.77	2000	ASD-A2-1043-M	69145	171200
1500 M	ECMA-KA1315SS	116625	7.16	2000	ASD-A2-1543-M	75485	192110
2000 M	ECMA-KA1320SS	139050	9.55	2000	ASD-A2-2043-M	101565	240615
3000 H	ECMA-LA1830SS	187525	19.1	1500	ASD-A2-3043-M	112970	300495
4500 H	ECMA-LA1845SS	265150	28.65	1500	ASD-A2-4543-M	123915	389065
5500 H	ECMA-LA1855S3	351615	35.01	1500	ASD-A2-5543-M	185505	537120
7500 H	ECMA-LA1875S3	454875	47.74	1500	ASD-A2-7543-M	258510	713385

L-Low Inertia M-Medium Inertia H-High Inertia

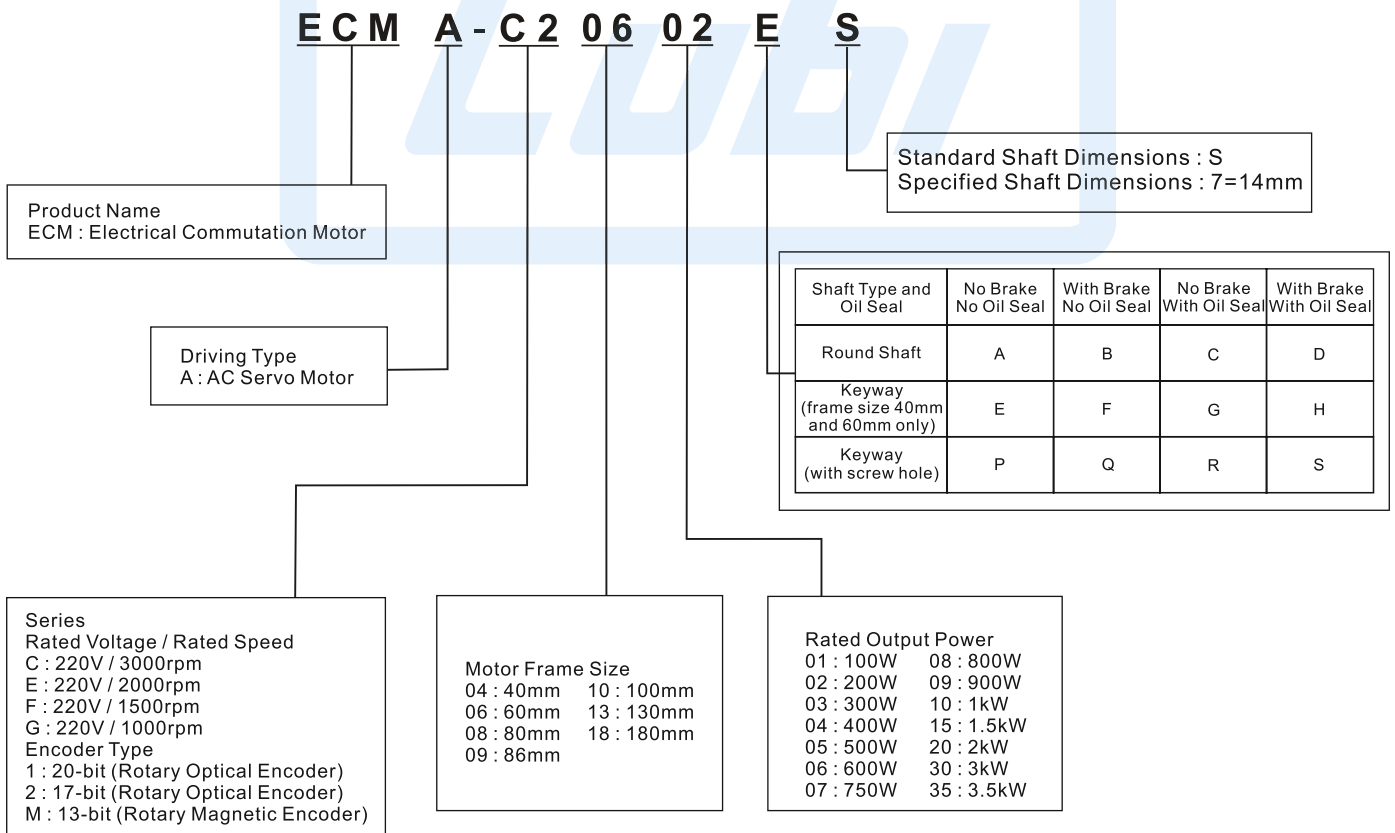


Model Explanation

ASDA-B2 Series Servo Drives



ECMA Series Servo Motors



B2 Series - Without Brake

O/P Watts	Motor	Price	Torque Nm	Rated RPM	Driver	Price	Package Price
100 L	ECMA-C20401ES/RS	25425	0.32	3000	ASD-B2-0121-B	26570	51995
200 L	ECMA-C20602ES/RS	28730	0.64	3000	ASD-B2-0221-B	27330	56060
400 L	ECMA-C20604ES/RS	30065	1.27	3000	ASD-B2-0421-B	27965	58030
500 L	ECMA-E21305ES/RS	45765	2.39	2000	ASD-B2-0421-B	27965	73730
750 L	ECMA-C20807ES/RS	36235	2.39	3000	ASD-B2-0721-B	34195	70430
1000 L	ECMA-C21010ES/RS	42590	3.18	3000	ASD-B2-1021-B	39660	82250
2000 L	ECMA-C21020ES/RS	54665	6.37	3000	ASD-B2-2023-B	58730	113395
1000 M	ECMA-E21310ES/RS	48560	4.77	2000	ASD-B2-1021-B	39660	88220
1500 M	ECMA-E21315ES/RS	57460	7.16	2000	ASD-B2-1521-B	51995	109455
2000 M	ECMA-E21320ES/RS	65720	9.55	2000	ASD-B2-2023-B	58730	124450
3000 M	ECMA-E21830PS/RS	88095	14.3	2000	ASD-B2-3023-B	84025	172120
3000 M	ECMA-F21830PS/RS	99405	19.5	1500	ASD-B2-3023-B	84025	183430

L-Low Inertia M-Medium Inertia



B2 Series - With Brake

O/P Watts	Motor	Price	Torque Nm	Rated RPM	Driver	Price	Package Price
100 L	ECMA-C20401FS/SS	41950	0.32	3000	ASD-B2-0121-B	26570	68520
200 L	ECMA-C20602FS/SS	43695	0.64	3000	ASD-B2-0221-B	27330	71025
400 L	ECMA-C20604FS/SS	45130	1.26	3000	ASD-B2-0421-B	27965	73095
500 L	ECMA-E21305FS/SS	65465	2.39	2000	ASD-B2-0421-B	27965	93430
750 L	ECMA-C20807FS/SS	54285	2.39	3000	ASD-B2-0721-B	34195	88480
1000 L	ECMA-C21010FS/SS	67625	3.18	3000	ASD-B2-1021-B	39660	107285
2000 L	ECMA-C21020FS/SS	82120	6.37	3000	ASD-B2-2023-B	58730	140850
1000 M	ECMA-E21310FS/SS	71190	4.77	2000	ASD-B2-1021-B	39660	110850
1500 M	ECMA-E21315FS/SS	87280	7.16	2000	ASD-B2-1521-B	51995	139275
2000 M	ECMA-E21320FS/SS	98645	9.55	2000	ASD-B2-2023-B	58730	157375
3000 M	ECMA-E21830QS/SS	132080	14.3	2000	ASD-B2-3023-B	84025	216105
3000 M	ECMA-F21830QS/SS	164025	19.1	1500	ASD-B2-3023-B	84025	248050

L-Low Inertia M-Medium Inertia

INCREMENTAL ENCODER

"ES" SERIES

Model	Description	Price
ES3-0CCG6941	PPR 360, Shaft diameter 6mm, Outer diameter 36.6mm, (7-24) V, Open collector	5565
ES3-0CCN6841	PPR 360, Shaft diameter 6mm, Outer diameter 36.6mm, (5-12) V, Open collector	5060
ES3-0CCN6941	PPR 360, Shaft diameter 6mm, Outer diameter 36.6mm, (7-24) V, Open collector	5060
ES3-0CCU6941	PPR 360, Shaft diameter 6mm, Outer diameter 36.6mm, (7-24) V, Open collector	5565
ES3-0CPG6941	PPR 360, Shaft diameter 6mm, Outer diameter 36.6mm, (7-24) V, Push-Pull	6740
ES3-0CVN6941	PPR 360, Shaft diameter 6mm, Outer diameter 36.6mm, (7-24) V, Voltage	5060
ES3-01CG6541	PPR 100, Shaft diameter 6mm, Outer diameter 36.6mm, 5 V, Open collector	5060
ES3-01CG6841	PPR 100, Shaft diameter 6mm, Outer diameter 36.6mm, (5-12) V, Open collector	5565
ES3-01CG6941	PPR 100, Shaft diameter 6mm, Outer diameter 36.6mm, (7-24) V, Open collector	5060
ES3-01CN6941	PPR 100, Shaft diameter 6mm, Outer diameter 36.6mm, (7-24) V, Open collector	5060
ES3-01CN6942	PPR 100, Shaft diameter 6mm, Outer diameter 36.6mm, (7-24) V, Open collector	5565
ES3-01CU6941	PPR 100, Shaft diameter 6mm, Outer diameter 36.6mm, (7-24) V, Open collector	5565
ES3-01LG6541	PPR 100, Shaft diameter 6mm, Outer diameter 36.6mm, 5 V, Line Driver	5565
ES3-01PG6941	PPR 100, Shaft diameter 6mm, Outer diameter 36.6mm, (7-24) V, Push-Pull	6740
ES3-01PN6941	PPR 100, Shaft diameter 6mm, Outer diameter 36.6mm, (7-24) V, Push-Pull	6740
ES3-02CA6942	PPR 200, Shaft diameter 6mm, Outer diameter 36.6mm, (7-24) V, Open collector	5565
ES3-02CB4811	PPR 200, Shaft diameter 4mm, Outer diameter 36.6mm, (5-12) V, Open collector	5565
ES3-02CB4815	PPR 200, Shaft diameter 4mm, Outer diameter 36.6mm, (5-12) V, Open collector	5565
ES3-02CB4845	PPR 200, Shaft diameter 4mm, Outer diameter 36.6mm, (5-12) V, Open collector	5565
ES3-02CG6541	PPR 200, Shaft diameter 6mm, Outer diameter 36.6mm, 5 V, Open collector	5060
ES3-02CG6941	PPR 200, Shaft diameter 6mm, Outer diameter 36.6mm, (7-24) V, Open collector	5060
ES3-02CN6941	PPR 200, Shaft diameter 6mm, Outer diameter 36.6mm, (7-24) V, Open collector	5060
ES3-02CN6965	PPR 200, Shaft diameter 6mm, Outer diameter 36.6mm, (7-24) V, Open collector	6365
ES3-02CU6941	PPR 200, Shaft diameter 6mm, Outer diameter 36.6mm, (7-24) V, Open collector	5565
ES3-02LG6541	PPR 200, Shaft diameter 6mm, Outer diameter 36.6mm, 5 V, Line Driver	5565
ES3-02PG6941	PPR 200, Shaft diameter 6mm, Outer diameter 36.6mm, (7-24) V, Push-Pull	6740
ES3-03CB4815	PPR 300, Shaft diameter 4mm, Outer diameter 36.6mm, (5-12) V, Open collector	5565
ES3-03CN6941	PPR 300, Shaft diameter 6mm, Outer diameter 36.6mm, (7-24) V, Open collector	7620
ES3-05CN6941	PPR 500, Shaft diameter 6mm, Outer diameter 36.6mm, (7-24) V, Open collector	7325
ES3-06CG6541	PPR 600, Shaft diameter 6mm, Outer diameter 36.6mm, 5 V, Open collector	7325
ES3-06CG6841	PPR 600, Shaft diameter 6mm, Outer diameter 36.6mm, (5-12) V, Open collector	6740
ES3-06CG6941	PPR 600, Shaft diameter 6mm, Outer diameter 36.6mm, (7-24) V, Open collector	7620
ES3-06CN6541	PPR 600, Shaft diameter 6mm, Outer diameter 36.6mm, 5 V, Open collector	7620
ES3-06CN6841	PPR 600, Shaft diameter 6mm, Outer diameter 36.6mm, (5-12) V, Open collector	6740
ES3-06CN6941	PPR 600, Shaft diameter 6mm, Outer diameter 36.6mm, (7-24) V, Open collector	7325
ES3-06LG6541	PPR 600, Shaft diameter 6mm, Outer diameter 36.6mm, 5 V, Line Driver	7325
ES3-06LG6841	PPR 600, Shaft diameter 6mm, Outer diameter 36.6mm, (5-12) V, Line Driver	6740
ES3-06LN6541	PPR 600, Shaft diameter 6mm, Outer diameter 36.6mm, 5 V, Line Driver	6740
ES3-06LN6841	PPR 600, Shaft diameter 6mm, Outer diameter 36.6mm, (5-12) V, Line Driver	6740
ES3-06LN6941	PPR 600, Shaft diameter 6mm, Outer diameter 36.6mm, (7-24) V, Line Driver	6740

INCREMENTAL ENCODER

"ES" SERIES

Model	Description	Price
ES3-06PN8941	PPR 600, Shaft diameter 8mm, Outer diameter 36.6mm, (7-24) V, Push-Pull	8205
ES3-10CG6541	PPR 1000, Shaft diameter 6mm, Outer diameter 36.6mm, 5 V, Open collector	7525
ES3-10LG6541	PPR 1000, Shaft diameter 6mm, Outer diameter 36.6mm, 5 V, Line Driver	7325
ES3-10LG6841	PPR 1000, Shaft diameter 6mm, Outer diameter 36.6mm, (5-12) V, Line Driver	6740
ES3-10LN6541	PPR 1000, Shaft diameter 6mm, Outer diameter 36.6mm, 5 V, Line Driver	6740
ES3-10LN6941	PPR 1000, Shaft diameter 6mm, Outer diameter 36.6mm, (7-24) V, Line Driver	6740
ES3-10VN6841	PPR 1000, Shaft diameter 6mm, Outer diameter 36.6mm, (5-12) V, Voltage	7620
ES3-11CG6841	PPR 1024, Shaft diameter 6mm, Outer diameter 36.6mm, (5-12) V, Open collector	7620
ES3-11CG6941	PPR 1024, Shaft diameter 6mm, Outer diameter 36.6mm, (7-24) V, Open collector	7620
ES3-11LG6841	PPR 1024, Shaft diameter 6mm, Outer diameter 36.6mm, (5-12) V, Line Driver	7620
ES3-11LG6941	PPR 1024, Shaft diameter 6mm, Outer diameter 36.6mm, (7-24) V, Line Driver	7620
ES3-11LN6541	PPR 1024, Shaft diameter 6mm, Outer diameter 36.6mm, 5 V, Line Driver	6740
ES3-20CG6541	PPR 2000, Shaft diameter 6mm, Outer diameter 36.6mm, 5 V, Open collector	9080
ES3-20LG6541	PPR 2000, Shaft diameter 6mm, Outer diameter 36.6mm, 5 V, Line Driver	9080
ES3-21CG6541	PPR 2048, Shaft diameter 6mm, Outer diameter 36.6mm, 5 V, Open collector	9080
ES3-21LG6541	PPR 2048, Shaft diameter 6mm, Outer diameter 36.6mm, 5 V, Line Driver	9080
ES3-25CB6945	PPR 2500, Shaft diameter 6mm, Outer diameter 36.6mm, (7-24) V, Open collector	8280

"ES" SERIES

Model	Description	Price
ES3-25CN6941	PPR 2500, Shaft diameter 6mm, Outer diameter 36.6mm, (7-24) V, Open collector	8280
ES3-25LG6541	PPR 2500, Shaft diameter 6mm, Outer diameter 36.6mm, 5 V, Line Driver	9300
ES5-01PN8941	PPR 100, Shaft diameter 8mm, Outer diameter 50mm, (7-24) V, Push-Pull	6230
ES5-05CN8942	PPR 500, Shaft diameter 8mm, Outer diameter 50mm, (7-24) V, Open collector	6280
ES5-05PU6961	PPR 500, Shaft diameter 6mm, Outer diameter 50mm, (7-24) V, Push-Pull	8280
ES5-0CCN8965	PPR 360, Shaft diameter 8mm, Outer diameter 50mm, (7-24) V, Open collector	7065
ES5-10CN8942	PPR 1000, Shaft diameter 8mm, Outer diameter 50mm, (7-24) V, Open collector	7545
ES5-10CN8965	PPR 1000, Shaft diameter 8mm, Outer diameter 50mm, (7-24) V, Open collector	8395
ES5-25LN8542	PPR 2500, Shaft diameter 8mm, Outer diameter 50mm, 5 V, Line Driver	9080

INCREMENTAL ENCODER, HOLLOW SHAFT

“EH” SERIES

Model	Description	Price
EH3-0BCB8942	PPR 256, Shaft diameter 8mm, Outer diameter 36.6mm, (7-24) V, Open collector	8280
EH3-0CCN8941	PPR 360, Shaft diameter 8mm, Outer diameter 36.6mm, (7-24) V, Open collector	8280
EH3-0CCN8942	PPR 360, Shaft diameter 8mm, Outer diameter 36.6mm, (7-24) V, Open collector	8280
EH3-01CN6941	PPR 100, Shaft diameter 8mm, Outer diameter 36.6mm, (7-24) V, Open collector	8280
EH3-06CN8965	PPR 600, Shaft diameter 8mm, Outer diameter 36.6mm, (7-24) V, Open collector	8280
EH3-06PG8941	PPR 600, Shaft diameter 8mm, Outer diameter 36.6mm, (7-24) V, Push-Pull	8200
EH3-06PN8941	PPR 600, Shaft diameter 8mm, Outer diameter 36.6mm, (7-24) V, Push-Pull	8200
EH3-10CB8942K	PPR 1000, Shaft diameter 8mm, Outer diameter 36.6mm, (7-24) V, Open collector	8280
EH3-10CG8841	PPR 1000, Shaft diameter 8mm, Outer diameter 36.6mm, (5-12) V, Open collector	8200
EH3-10LG8845	PPR 1000, Shaft diameter 8mm, Outer diameter 36.6mm, (5-12) V, Line Driver	8280
EH3-11LG8841	PPR 1024, Shaft diameter 8mm, Outer diameter 36.6mm, (5-12) V, Line Driver	8200
EH3-11LN8841	PPR 1024, Shaft diameter 8mm, Outer diameter 36.6mm, (5-12) V, Line Driver	8200
EH3-25LG8845	PPR 2500, Shaft diameter 8mm, Outer diameter 36.6mm, (5-12) V, Line Driver	9080
EH4-04LGQ5CA	PPR 400, Shaft diameter 6.35mm, Outer diameter 38.7mm, 5 V, Line Driver	8280
EH5-02CN8965	PPR 200, Shaft diameter 8mm, Outer diameter 36.6mm, (7-24) V, Open collector	8425
EH5-10CG6941	PPR 1000, Shaft diameter 8mm, Outer diameter 36.6mm, (7-24) V, Open collector	8425
EH5-10CG8942	PPR 1000, Shaft diameter 8mm, Outer diameter 50mm, (7-24) V, Line Driver	8425
EH5-11LG8845	PPR 1024, Shaft diameter 8mm, Outer diameter 50mm, (5-12) V, Line Driver	8425
EH5-25LG8945	PPR 2500, Shaft diameter 8mm, Outer diameter 50mm, (7-24) V, Line Driver	9230

INCREMENTAL ENCODER, HOLLOW SHAFT

“ETA” SERIES

Model	Technical Specification	Price
ETA-11PNM941	PPR 1024 , Shaft diameter 30mm , Outer diameter 100mm , (7-24) V , Push-Pull	18310

ABSOLUTE ENCODER

“AS5” SERIES

Model	Description	Price
AS5-06CG8811	PPR 600, Shaft diameter 8mm, Outer diameter 50mm, (5-12) V, Open collector	8425

CNC INCREMENTAL ENCODER FOR SPINDLE APPLICATION

“CS7” SERIES

Model	Description	Price
CS7-11LNR9HM	PPR 1024, Shaft diameter 15mm, Outer diameter 70mm, (7-24) V, Line Driver	19410

TEMPERATURE CONTROLLER

DTK" Series (LCD Type)

Model	Size	Price	Model	Size	Price
DTK4848R01/V01/C01	48 X 48 mm	3300	DTK9696R01/V01/C01	96 X 96 mm	5100
DTK4848R02/V02/C02		3400	DTK9696R02/V02/C02		5250
DTK4848R12/V12/C12		4450	DTK9696R12/V12/C12		6100
DTK7272R01/V01/C01	72 X 72 mm	4300	DTK4896R01/V01/C01	48 X 96 mm	3650
DTK7272R02/V02/C02		4500	DTK4896R02/V02/C02		3950
DTK7272R12/V12/C12		5200	DTK4896R12/V12/C12		4800

DTC SERIES (Blind type) (With RS - 485 Communication)

Model	Specification	Price
DTC1000R/V/C/L	Main Unit	3900
DTC2000R/V/C/L	Ext. Unit	
DTC1001R/V/C/L	Main Unit	4650
DTC2001R/V/C/L	Ext. Unit	

DTB SERIES (Advanced type) (With RS - 485 Communication)

Model	Size	Price	Model	Size	Price
DTB4824RR	48 X 24 mm	5450	DTB4848VR	48 X 48 mm	5850
DTB4824CR					
DTB4824CV					
DTB4824LR					
DTB4824LV					
DTB4824V V					
DTB4824VR					
			DTB4848VRE	48 X 48 mm	6300
			DTB4848CRE		
			DTB4848LRE		
			DTB4848RRE		
			DTB4848VRT	48 X 48 mm	7400
			DTB4848CRT		
			DTB4848LRT		
			DTB4848RRT		

**TEMPERATURE CONTROLLER - "DTB" SERIES (Advanced type)
(With RS - 485 Communication)**

Model	Size	Price
DTB9696VR	96 X 96 mm	7000
DTB9696CR		
DTB9696LR		
DTB9696RR		
DTB9696VRE	96 X 96 mm	7650
DTB9696CRE		
DTB9696LRE		
DTB9696RRE		
DTB9696VVE		
DTB9696CVE		
DTB9696LVE	96 X 96 mm	8400
DTB9696VRT		
DTB9696CRT		
DTB9696LRT		
DTB9696RRT		
DTB9696VVT		
DTB9696CVT	96 X 96 mm	8400
DTB9696LVT		
DTB9696RRV	96 X 96 mm	8400

Model	Size	Price
DTB4896VR	48 X 96 mm	6400
DTB4896CR		
DTB4896LR		
DTB4896RR		
DTB4896VRE	48 X 96 mm	6950
DTB4896CRE		
DTB4896LRE		
DTB4896RRE		
DTB4896VVE		
DTB4896CVE		
DTB4896LVE	48 X 96 mm	7500
DTB4896VRT		
DTB4896RRT		
DTB4896VVT		
DTB4896RRV	48 X 96 mm	7500

TEMPERATURE CONTROLLER - "DTE" SERIES (For multiple extension)

Model	Size	Price
DTE10T	Main Unit (4ch.)	13200
DTE10P	Main Unit (3ch.)	10800

Accessories (Extension) for DTE Series

Model	Description	Price
DTE20T	4-Channel TC	6650
DTE20R	4 Channels Relay output	2150
DTE20V	4 Channels of voltage pulse output	2150
DTE20P	3 Channels of PT-100	6500
DTE20C	4 Channels of linear current output	2150
DTE2DS	Display and setup module	2950
DTE2CT	4 Channels current transfermer	6300

MODEL DESIGNATION FOR LAST 1~3 DIGITS

R : RELAY OUTPUT (250VAC, 5A)	V : VOLTAGE OUTPUT (0~14V,+10%~ - 20%)
C : DC CURRENT OUTPUT (4~20 mA)	L : LINEAR VOLTAGE OUTPUT (0~5V , 0~10VDC)
T : INBUILT "CT" FUNCTION	E : INBUILT "EVENT" FUNCTION

DT3 SERIES

Model	Description	Price
DT320CA-L211	48x48mm, Advanced Type, RS-485 & 2 Event inputs Out1:DC Current, Out2:Linear Voltage	7100
DT320CA-R211	48x48mm, Advanced Type, RS-485 & 2 Event inputs Out1:DC Current, Out2: Relay	7100
DT320CA-V211	48x48mm, Advanced Type, RS-485 & 2 Event inputs Out1:DC Current, Out2:Voltage Pulse Output	7100
DT320VA-R211	48x48mm, Advanced Type, RS-485 & 2 Event inputs Out1:Voltage Pulse, Out2: Relay	7100
DT320CA-L230	48x48mm, Advanced Type, RS-485 & Retransmission Out1:DC Current, Out2:Linear Voltage	7250
DT320CA-R230	48x48mm, Advanced Type, RS-485 & Retransmission Out1:DC Current, Out2: Relay	7250
DT320CA-V230	48x48mm, Advanced Type, RS-485 & Retransmission Out1:DC Current, Out2:Voltage Pulse Output	7250
DT320VA-R230	48x48mm, Advanced Type, RS-485 & Retransmission Out1:Voltage Pulse, Out2: Relay	7250
DT320CA-0200	48x48mm, Advanced Type, RS-485 & 2 Event/CT/Retra inputs(optional) Out1:DC Current, Out2:Optional	6550
DT320VA-0200	48x48mm, Advanced Type, RS-485 & 2 Event/CT/Retra inputs(optional) Out1:Voltage Pulse, Out2:Optional	6550
DT320RA-0200	48x48mm, Advanced Type, RS-485 & 2 Event/CT/Retra inputs(optional) Out1:Relay, Out2:Optional	6550
DT340CA-0200	48x96mm, Advanced Type, RS-485 & 2 Event/CT/Retra inputs(optional) Out1:DC Current, Out2:Optional	7000
DT340VA-0200	48x96mm, Advanced Type, RS-485 & 2 Event/CT/Retra inputs(optional) Out1:Voltage Pulse, Out2:Optional	7000
DT340RA-0200	48x96mm, Advanced Type, RS-485 & 2 Event/CT/Retra inputs(optional) Out1:Relay, Out2:Optional	7000
DT360CA-0200	96x96mm, Advanced Type, RS-485 & 2 Event/CT/Retra inputs(optional) Out1:DC Current, Out2:Optional	7800
DT360VA-0200	96x96mm, Advanced Type, RS-485 & 2 Event/CT/Retra inputs(optional) Out1:Voltage Pulse, Out2:Optional	7800
DT360RA-0200	96x96mm, Advanced Type, RS-485 & 2 Event/CT/Retra inputs(optional) Out1:Relay, Out2:Optional	7800
DT3-R	DT3 Series Optional Relay Card	750
DT3-V	DT3 Series Optional Voltage Pulse Output Card	750
DT3-C	DT3 Series Optional DC Current Output Card	750
DT3-L	DT3 Series Optional Linear Voltage Output Card	750
DT3-CTI	DT3 Series Optional CT Input Card	750
DT3-REMOTE	DT3 Series Optional Remote Set Point Card	750
DT3-EVENT	DT3 Series Optional Event Input Card	750
DT3-RETRANS	DT3 Series Optional Retransmission Output Card	750
DT3-CT30A	30 Amp CT for DTM & DT3	1100
DT3-CT100A	100 Amp CT for DTM & DT3	1450

DTM SERIES

Model	Description	Price
DTMR08	Main Unit + 8 channel Input with Rs485	24700
DTME08	Main Unit with Rs485 & Ethernet + 8 channel Input	33100
DTMN08	Extension unit + 8 channel Input	23600
DTMR04	Main unit + 4 channel Input with Rs485	16300
DTME04	Main unit with Rs485 & Ethernet + 4 channel Input	24700
DTMN04	Extension Unit + 4 channel Input	15250
DTM-BDC	Output Card :4 Channel 4-20ma	2650
DTM-BDL	Output Card :4 Channel 0-10 vdc	2650
DTM-BDR	Output Card :4 Channel Relay	2650
DTM-BDV	Output Card :4 Channel Voltage Pulse Output	2650
DTM-CT030	8 channel CT Input Card : 30 amp	6300
DTM-DOC	Output Card : 8 channel 4-20ma	6100
DTM-DOL	Output Card :8 Channel 0-10 vdc	6100
DTM-DOR	Output Card :8 Channel Relay	6100
DTM-DOV	Output Card :8 Channel Voltage Pulse Output	6100
DTMN02-V	2 IN-4 OUT, 0 / 12 V pulse voltage	10700
DTMN02-R	2 IN-4 OUT, 2 A relay contact	10700
DTMN02-C	2 IN-4 OUT, 4 ~ 20 mA output	10700
DTMN02-L	2 IN-4 OUT, 0 ~ 10 V output	10700

DTI SERIES

Model	Description	Price
DTI4848R0	48x48mm, Economical Type, Relay Output with 1 Alarm Output	2210
DTI4848V0	48x48mm, Economical Type, Voltage Pulse Output with 1 Alarm Output	2210

COUNTER / TIMER / TACHOMETER

Model	Description	Price
CTA4100A	3 in 1 Relay Output without RS485	4900
CTA4000A	3 in 1 Transistor Output without RS485	4900
CTA4101A	3 in 1 Relay Output with RS485	5950
CTA4001A	3 in 1 Transistor Output with Rs485	5950

COMMUNICATION MODULES (CONVERTER)

Model	Description	Price
IFD6503	USB / CANOpen Comm. Module	29135
IFD6530	USB / RS-485 Comm. Interface (for C2000 keypad)	9830
IFD8500-A	Rs-232 To Rs- 485/Rs-422 Isolated Converter	5650
IFD8510-A	Rs-485 / Rs-422 Isolated Repeater	6630
IFD8520	Addressable RS-485/RS-422 to Rs-232 Isolated Converter	8595
IFD6500	RS-485 to USB Comm. Interface	5860
IFD9502	Device Net Slave Comm. Module	13950
IFD9503	CANOPEN Slave Comm. Module	11300
IFD9506	Ethernet Modbus Gateway	16595
IFD9507	Ethernet I/P - Modbus Gateway	16595

MULTI FUNCTIONAL POWER METER

Model	Description	Price
DPM-CM511B	VAF Meter, Panel Mount type, through external CT 1A/5A, Class 1.0 without RS485	2260
DPM-CM512B	VAF Meter, Energy Meter, through external CT 1A/5A, Class 1.0 without RS485	4770
DPM-CM512	VAF Meter, Energy Meter, through external CT 1A/5A, Class 1.0 with RS485	5400
DPM-C501L	Panel Mount type, through external CT 1A/5A, Class 0.5s with RS485(96x96mm)	12800
DPM-C502	Panel Mount type, through external CT 1A/5A, Class 0.5s with RS485(96x96mm)	14990
DPM-C320	Panel Mount type, through external CT 1A/5A, Class 0.5s with RS485(72x72mm)	12800
DPM-C520	Panel Mount type, through external CT 1A/5A, Class 0.5s with RS485(96x96mm)	14990
DPM-C520W	Panel Mount type, through external CT 1A/5A, Class 0.5s with RS485 & Wifi(96x96mm)	22230
DPM-C530	Panel Mount type, through external CT 1A/5A, Class 0.5s with RS485(96x96mm)	21200
DPM-C530E	Panel Mount type, through external CT 1A/5A, Class 0.5s with Dual Ethernet(96x96mm)	26100
DPM-D520I	DIN Rail Mount Type, Direct current upto 63A, Class 0.5s with RS485	15250
DPM-DA510	DIN Rail Mount Type, through external CT 1A/5A, Class 0.5s with RS485	14270
DPM-DA530	DIN Rail Mount Type, through external CT 1A/5A, Class 0.5s with RS485	15920
DPM-MA3222	Multi Loop Type, through external CT, Class 0.5s with RS485	100550
DPM-MA1121	Multi Loop Type, through external CT, Class 0.5s with RS485	33140
DPM-PS01	Hall Sensor power supply	4220

DIAENERGIE EMS (MACHINE PACK) B/S VERSIONS

Model	Description	Price
DIAE-0201000	10 Devices or 300 tags License	76500
DIAE-0102000	20 Devices or 600 tags License	291550
DIAE-0105000	50 Devices or 1500 tags License	441970
DIAE-0110000	100 Devices or 3000 tags License	666830
DIAE-0115000	150 Devices or 4500 tags License	721100
DIAE-0120000	200 Devices or 6000 tags License	775390
DIAE-0100000	Unlimited Device License	852930

DVS ETHERNET SWITCHES

Model	Description	Price
DVS-005I00	Ethernet Switches, unmanaged 5 port	8555
DVS-005W01	Ethernet Switches, unmanaged 5 port WT	18700
DVS-008W01	Ethernet Switches, unmanaged 8 port WT	26555
DVS-005W01-MC01	Ethernet Switches, unmanaged 5 port WT Fiber	35820
DVS-008W01-MC01	Ethernet Switches, unmanaged 8 port WT Fiber	44315
DVS-016W01	Ethernet Switches, unmanaged 16 port WT	45205
DVS-016W01-MC01	Ethernet Switches, unmanaged 16 port WT Fiber	58685
DVS-008I00	Ethernet Switches, unmanaged 8 port	10930
DVW-W02W2-E-EU	Wifi Based Ethernet Switch	89100
DVW-ANTRM7G-B3	Optional High Gain Antenna for Wifi Switch	14260
DVW-ANTRM8N-B3	Optional High Gain Antenna for Wifi Switch	11880



Model	Description	Price
LCP-155A4HDRJ	Fast Ethernet SFP transceiver, Multimode, 5 Km, Standard temp	6005
LCP-155A4HDRTJ	Fast Ethernet SFP transceiver, Multimode, 5 Km, Wide temp	7010
LCP-155B4JDRJ	Fast Ethernet SFP transceiver, Singlemode, 30 Km, Standard temp	8020
LCP-155B4JDRTJ	Fast Ethernet SFP transceiver, Singlemode, 30 Km, Wide temp	9565
LCP-155B4MDRJ	Fast Ethernet SFP transceiver, Singlemode, 60 Km, Standard temp	9805
LCP-155B4MDRTJ	Fast Ethernet SFP transceiver, Singlemode, 60 Km, Wide temp	13130
LCP-1250A4FDRJ	Gigabit Ethernet SFP transceiver, Multimode, 550 m, Standard temp	8260
LCP-1250A4FDRTJ	Gigabit Ethernet SFP transceiver, Multimode, 550 m, Wide temp	9865
LCP-1250B4QDRJ	Gigabit Ethernet SFP transceiver, Singlemode, 10 Km, Standard temp	13665
LCP-1250B4QDRTJ	Gigabit Ethernet SFP transceiver, Singlemode, 10 Km, Wide temp	16040
LCP-1250B4MDRJ	Gigabit Ethernet SFP transceiver, Singlemode, 40 Km, Standard temp	53820
LCP-1250B4MDRTJ	Gigabit Ethernet SFP transceiver, Singlemode, 40 Km, Wide temp	65340

IIOT ROUTER

Model	Description	Price
DX-2100RW-WW	SIM based, Delta Cloud Router	77220
DX-2300LN-WW	LAN based, Delta Cloud Router	64735
DX3001H9	SIM & LAN based, Delta Cloud Router	88275
DX3001H9-V	SIM & LAN based, VPN Router (third party Cloud)	82390

LUBI CABLE PRICE

Series	Model	Type of Cable	Length (Meter) Price											
			Connector kit	0.6	1	2	3	5	6	8	9	10	12	15
DELTA - A	100W to 750W	Interface Cable	1650	2890	3760	4600	5960	8300	-	-	-	-	-	-
		Encoder Cable	1830	-	-	2950	3280	4030	4370	-	5470	-	6560	7640
		Power Cable	590	-	-	1860	1980	2190	2320	-	2650	-	-	3330
		Power Cable With Brake	710	-	-	2250	2350	2590	2700	-	3050	-	-	3870
DELTA - A	1KW to 3KW Low inertia & 1KW TO 1.5KW Middle inertia	Interface Cable	1650	2890	3760	4600	5960	8300	-	-	-	-	-	-
		Encoder Cable	3690	-	-	4300	4640	5360	-	-	-	-	-	8940
		Power Cable	1440	-	-	2300	2670	3400	3770	-	4860	-	-	7060
		Power Cable With Brake	1440	-	-	2980	3410	4260	4690	-	5970	-	-	8540
DELTA - A	2KW to 3KW Middle inertia	Interface Cable	1650	2890	3760	4600	5960	8300	-	-	-	-	-	-
		Encoder Cable	3690	-	-	4300	4640	5360	-	-	-	-	-	8940
		Power Cable	1530	-	-	2350	2730	3460	3830	-	4920	-	-	7650
		Power Cable With Brake	1530	-	-	3080	3500	4360	4780	-	6060	-	-	8200
DELTA - A2	100W to 750W	Interface Cable	1650	2890	3760	4600	5960	8300	-	-	-	-	-	-
		Encoder Cable	1830	-	-	2940	3280	4030	4370	-	5473	-	6560	7640
		Power Cable	500	-	-	940	1190	1430	1640	-	2240	-	-	3270
		Power Cable With Brake	1440	-	-	2980	3420	4260	4690	-	5970	-	-	8540
DELTA - A2	1KW to 3KW Low inertia & 1KW to 1.5KW Middle inertia & 2KW Middle inertia (ECMA-E11320-S)	Interface Cable	1650	2890	3760	4600	5960	8300	-	-	-	-	-	-
		Encoder Cable	3690	-	-	4300	4640	5360	-	-	-	7130	7820	8940
		Power Cable	1440	-	-	2300	2670	3400	3770	-	4860	5230	5960	7060
		Power Cable With Brake	1440	-	-	2980	3420	4260	4690	-	5970	-	-	8540
DELTA - A2	2KW Middle inertia (ECMA-E-11820-S) & 3KW to 5.5KW Middle High inertia (ECMA-L -11855-3)	Interface Cable	1650	2890	3760	4600	5960	8300	-	-	-	-	-	-
		Encoder Cable	3690	-	-	4300	4640	5360	-	-	-	7130	7820	8940
		Power Cable	1530	-	-	2350	2730	3460	3830	-	4920	-	-	7650
		Power Cable With Brake	1530	-	-	3080	3500	4360	4780	-	6060	-	-	8200
DELTA - A2	5.5KW (ECMA-F-11855-3) to 7.5KW Middle High inertia	Interface Cable	1650	2890	3760	4600	5960	8300	-	-	-	-	-	-
		Encoder Cable	3690	-	-	4300	4640	5360	-	-	-	7130	7820	8940
		Power Cable	2120	-	-	4060	5140	5690	-	7600	-	8120	-	-
DELTA - B	100W to 750W	Interface Cable	120	-	-	4000	-	-	-	-	-	-	-	-
		Encoder Cable	1500	-	-	2830	3060	3870	-	-	-	-	-	7150
		Power Cable	500	-	-	940	1190	1430	1640	-	2240	-	-	3270
DELTA - B	1KW to 1.5KW Middle inertia & 1KW to 3KW Lower inertia	Interface Cable	120	-	-	4000	-	-	-	-	-	-	-	-
		Encoder Cable	1960	-	-	4130	4470	4900	-	-	-	-	-	8200
		Power Cable	1440	-	-	2300	2670	3400	3770	-	4860	-	-	7060
DELTA - B	2KW Middle inertia	Interface Cable	120	-	-	4000	-	-	-	-	-	-	-	-
		Encoder Cable	1960	-	-	4130	4470	4900	-	-	-	-	-	8200
		Power Cable	1530	-	-	2350	2730	3460	3830	-	4920	5290	-	7650
DELTA - B2	100W to 750W	Interface Cable	240	-	3170	5530	-	-	-	-	-	-	-	-
		Encoder Cable	1500	-	-	2830	3060	3870	-	4900	-	5510	-	-
		Power Cable	490	-	-	940	1190	1430	1640	-	2240	-	-	3270
DELTA - B2	1KW to 2KW Middle inertia (ECMA-E21320-S)	Interface Cable	240	-	3170	5530	-	-	-	-	-	-	-	-
		Encoder Cable	1960	-	-	4130	4470	4900	-	6110	-	6560	-	-
		Power Cable	1440	-	-	2300	2670	3400	3770	4490	4860	5230	5960	7060
		Power Cable With Brake	1440	-	-	2980	3410	4260	4690	-	5970	-	-	8540
DELTA - B2	2KW to 3KW Middle inertia (ECMA-E21820-S)	Interface Cable	240	-	3170	5530	-	-	-	-	-	-	-	-
		Encoder Cable	1960	-	-	4130	4470	4900	-	6110	-	6560	-	-
		Power Cable	1530	-	-	2350	2730	3460	3830	-	4920	5290	-	7650
		Power Cable With Brake	1530	-	-	3070	3500	4360	4780	-	6060	-	-	8200

COMMUNICATION CABLE (PLC, HMI, AC SERVO & AC DRIVE)

No.	Name Of Cable Length : 2 Mtr. Standard	Price
1	PC TO SERVO - DELTA - A , A2 & B2	1790
2	ETHERNET CABLE FOR PLC & HMI COMMUNICATION , C-2000 & CP2000	1240
3	PC TO DELTA TP - TEXT DISPLAY(02, 04 & 08)	830
4	PC TO DELTA DOP - HMI	830
5	PC TO DELTA PLC , PC TO SERVO - DELTA - B, PLC TO TEXT DISPLAY - RS-232	830
6	PLC TO TEXT DISPLAY - RS-485	830
7	PLC TO DOP - HMI - RS-485	830
8	DOP SERIES RS- 485	830
9	PLC TO DELTA VFD - RS-485	330
10	PLC SUPPLY CABLE	330
11	LEXC2A - 2MTR. EXTENSION CABLE	1180
12	LEXC5A - 5MTR. EXTENSION CABLE	2240
13	DELTA - 'A/A2/AB/B2' SERVO (RS-485) CABLE - 2MTR	1800
14	DELTA - 'B' SERVO (RS-485) CABLE - 2MTR	830
15	6 CORE FLAT CABLE FOR KEYPAD EXTENSIONS, EL & V VFD	930





● **HEAD OFFICE**
● **BRANCH OFFICE**

This map of INDIA does not reflect accurate boundaries. It is only for illustration purpose.



Lubi Electronics

Sardar Patel Ring Road, Nr. Karai Gam Patia, Nana Chiloda, Dist. : Gandhinagar - 382 330.
 Tel. : +91-79-6674 5300 • Fax : +91-79-6674 5599
 E-mail : info@lubielelectronics.com • Website : www.lubielelectronics.com

BRANCH OFFICE

VAPI
 104-A, Platinum Mall, Plot No. Cm/13, Opp. V.I.A. Ground, G.I.D.C. Vapi - 396 195. District : Valsad, Gujarat. INDIA
 Tel. : + 91 - 260 - 2425 307

MUMBAI
 405, Sangeet Plaza, Opp. Marol Fire Brigade, Marol Maroshi Road, Andheri (E), MUMBAI - 400 059.
 Tel. : + 91 - 22 - 6704 2570 / 2925 7315

PUNE
 Breman Business Center, Off. No.301, Nr. City International School, Opp. Breman Square, University Road, Aundh Pune - 411 007.
 Tel. : + 91 - 20 - 2588 0583

DELHI
 404, 4th Floor, Ajit Singh House, 12, Commercial Complex, Yusuf Sarai, New Delhi. 110 049.
 Tel. : + 91-11-4608 5120

LUDHIANA
 BXX1/14436, Nr. Dada Motors, Besides HDFC Bank, Kalsinagar, G.T.Road, Ludhiana - 141 003.
 Tel. : + 91 - 161 - 2535 342

BANGALORE
 "Sri Chakra" #30/25/1, 1st Floor, New Ring Road, Malagala, 2nd Stage, Nagarabavi, Bangalore-560072, Karnataka.
 Tel. : + 91 - 0781 50 18411

CHENNAI
 #3, 1st Floor, Vishalakshi Street, Balavinayagar Nagar, Arumbakkam, Chennai - 600 106.
 Tel. : + 91 - 44 - 6459 8855 • Fax : + 91 - 44 - 4355 6630

COIMBATORE
 SF 489/2 Thiru Nagar 3rd Street, Selvapuram By-Pass Road, Coimbatore - 641026.
 Tel. : + 91-422-6555 886 • Service No. : +91 - 422 - 2340 111

HYDERABAD
 Shed No. - 21, Phase - 1, TCIE, Balanagar, Hyderabad - 500 037.
 Tel. : + 91 - 40 - 4007 3424

KOLKATA
 41/30 Dum Dum Road, Gostha Behari Colony, Post: Motijheel, P.S: DumDum, Kolkata - 700074.
 Tel. : + 91 - 90819 03883